

George Fern Company

Expositions • Corporate Events • Exhibits

Nationwide

3752 Crittenden Drive Louisville, Kentucky 40209-1122
Telephone: 502.367.0254 Fax: 502.368.0284

**Deadline to
Order Services**

February 19, 2010

Louisville Home, Garden and Remodeling Show March 5-7, 2010 Kentucky Exposition Center Louisville, Kentucky

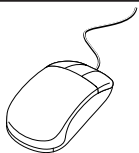
| | | | |
|-------------------------|--|-----------------------------------|--|
| SHOW MANAGEMENT: | Home Builders Association of Louisville 1000 Hurstbourne Parkway Louisville, KY 40223-4012 Gail Schell/Kim Pappas 502/429-6000 502/429-6036 Fax | MOVE-IN DATES & HOURS: | Monday, March 1, 2010 2:00pm - 9:00pm Tuesday, March 2, 2010 8:00am - 9:00pm Wednesday, March 3, 2010 8:00am - 9:00pm Thursday, March 4, 2010 8:00am - 9:00pm |
| BOOTH EQUIPMENT: | 10' x 10' Booth 7" x 44" ID Sign | SHOW DATES & HOURS: | Friday, March 5, 2010 10:00am - 10:00pm Saturday, March 6, 2010 10:00am - 10:00pm Sunday, March 7, 2010 10:00am - 5:00pm |
| SHOW COLORS: | Booth Drape Blue/White Aisle Carpet None | MOVE-OUT DATE & HOURS: | Sunday, March 7, 2010 5:00pm - 10:00pm Monday, March 8, 2010 7:30am - 5:00pm |

As the Official Service Contractor for this exposition, we are enclosing various equipment rental and service order forms for your information and use. In addition to the George Fern Company forms, you may find forms enclosed for services performed by the Convention facility or other suppliers. Please give special attention to see that forms and payments are directed to address indicated on each order form. Some services may *not* be provided by George Fern Co.

We realize that exhibiting in a convention can be complicated. If you need assistance or additional information that is not addressed here, please contact our Exhibitor Services Department at (502) 367-0254. We look forward to serving you.

George Fern Co.

WAYS TO ORDER



BY INTERNET:
www.georgefern.com



BY MAIL:
MAIL ORDER FORMS TO:
GEORGE FERN CO.
3752 Crittenden Drive
Louisville, Kentucky 40209-1122



BY FAX:
SEND ORDER FORMS TO:
(502) 368-0284
(CREDIT CARDS ONLY)
Our FAX line is open 24 hours



BY PHONE:
Call (502) 367-0254
With Credit Card Number



CL-5



DEADLINE **February 19, 2010**
 for return of this form:


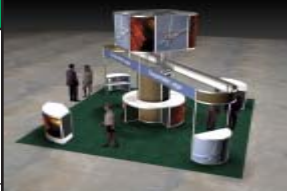
3752 Crittenden Drive Louisville, Kentucky 40209-1122
 Telephone: 502.367.0254 Fax: 502.368.0284

CANCELLATION: No refunds on orders cancelled after the deadline.
LATE REQUEST: Request after deadline will be filled as available at the standard rate.

Professional Exhibit Solutions

| | | | |
|--|---|--|---|
|  | Table Top Display |  | 10' Curved Display |
| | * Enhanced Package Depicted. See Brochure for Complete Package Details | | * Enhanced Package Depicted. See Brochure for Complete Package Details |
| | Circle your Table Skirting Color: Black (04) Blue (06) Burgundy (11) Gold (08) Gray (09) Green (10) Plum (19) Red (14) Teal (18) White (16) | | |
| <input checked="" type="checkbox"/> Description | DISCOUNT RATE | STANDARD RATE | <input checked="" type="checkbox"/> Description |
| <input type="checkbox"/> Table Top Display Enhanced Package (4014) ... | \$1,290.00 | \$1,742.50 | <input type="checkbox"/> 10' Curved Display Enhanced Package (4020) .. |
| <input type="checkbox"/> Table Top Display Standard Package (4002) | \$ 910.00 | \$1,227.50 | <input type="checkbox"/> 10' Curved Display Standard Package (4008) ... |

| | | | |
|--|---|--|---|
|  | 10' Display |  | 20' Display |
| | * Enhanced Package Depicted. See Brochure for Complete Package Details | | * Enhanced Package Depicted. See Brochure for Complete Package Details |
| <input checked="" type="checkbox"/> Description | DISCOUNT RATE | STANDARD RATE | <input checked="" type="checkbox"/> Description |
| <input type="checkbox"/> 10' Display Enhanced Package (4016) | \$2,790.00 | \$3,767.50 | <input type="checkbox"/> 20' Display Enhanced Package (4024) |
| <input type="checkbox"/> 10' Display Standard Package (4004) | \$1,595.00 | \$2,152.50 | <input type="checkbox"/> 20' Display Standard Package (4010) |

| | | | |
|---|---|---|---|
|  | 10' Center Display |  | 20' x 20' Display |
| | * Enhanced Package Depicted. See Brochure for Complete Package Details | | * Enhanced Package Depicted. See Brochure for Complete Package Details |
| <input checked="" type="checkbox"/> Description | DISCOUNT RATE | STANDARD RATE | <input checked="" type="checkbox"/> Description |
| <input type="checkbox"/> 10' Center Display Enhanced Package (4018) ... | \$2,787.50 | \$3,762.50 | <input type="checkbox"/> 20' x 20' Display Enhanced Package (4026) |
| <input type="checkbox"/> 10' Center Display Standard Package (4006) | \$1,980.00 | \$2,672.50 | <input type="checkbox"/> 20' x 20' Display Standard Package (4012) |

Select Standard Booth Panels Color **Select Carpet Colors**

- | | |
|---|---|
| <input type="checkbox"/> Black PVC (04) <input type="checkbox"/> White PVC (16) <input type="checkbox"/> Blue Velcro (55) <input type="checkbox"/> Gray Velcro (56) | <input type="checkbox"/> Blue (06) <input type="checkbox"/> Gray (09) <input type="checkbox"/> Red (14) <input type="checkbox"/> Black (04) |
| Table Top display is available in Black PVC and White PVC only. | <input type="checkbox"/> Maroon (11) <input type="checkbox"/> Plum (19) <input type="checkbox"/> Seafoam (18) <input type="checkbox"/> Madison (21) |

Standard Booth Graphics **Enhanced Booth Graphics**

Your company name will be printed in block lettering on the White Header Sign.
 Check lettering color: BLACK BLUE RED

Indicate your Header Sign Copy: _____

Please email your full color graphics for Enhanced Booth Packages to the following email address: louisville.graphics@georgefern.com

Please provide in one of the following IBM compatible formats:
 If Vector art, provide in EPS or AI, (Illustrator), or compatible.
 If Rastor, provide in TIFF, JPG, or BMP.

Remember to order the following items, as desired. They are NOT included in booth package:

- * Furniture * Electrical Service * Custom Lighting * Floral * Cleaning Service

Yes, I have completed and enclosed the **Payment Form**

No credit will be given after close of event on items or services ordered, but not received. If you have a problem please see the George Fern Co. Service Personnel at the event site prior to opening.

Sub Total: \$ _____
 6% State tax: \$ _____
TOTAL: \$ _____

Name of Event **Louisville Home, Garden & Remodeling Show #4-0091-10** Booth# _____ Phone () _____

Firm Name _____ Fax # () _____

Address _____ E-Mail _____

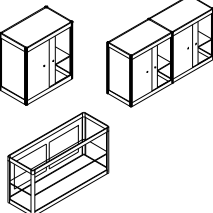
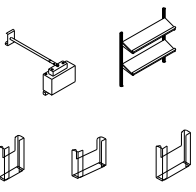
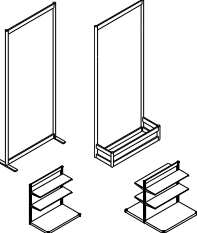
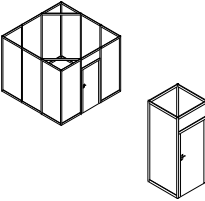
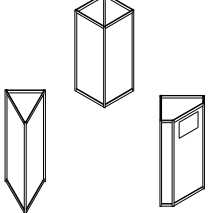
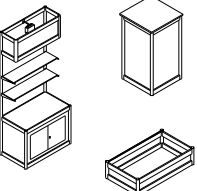
Street City State Zip Code

Print/Type Name _____ Signature _____ Date _____

3752 Crittenden Drive Louisville, Kentucky 40209-1122
 Telephone: 502.367.0254 Fax: 502.368.0284

DEADLINE February 19, 2010
 for return of this form:

CANCELLATION: No refunds on orders cancelled after the deadline.
LATE REQUEST: Request after deadline will be filled as available at the standard rate.

| Stand-Alone Fixtures and Exhibit Components | | | | | | | | |
|---|--|---|---------------|---|---------------------------------|---------------|---|---------------|
|  | | Counters | |  | | | | |
| | | Qty. Description | Discount Rate | | | Standard Rate | Qty. Description | Discount Rate |
| | | _____ 1M x 1/2M x 30" ht (4041) | \$ 330.00 ea | \$ 445.00 ea | _____ 1M Straight Shelf | | \$ 45.00 ea | \$ 60.00 ea |
| | | _____ 1M x 1/2M x 43" ht (4043) | \$ 385.00 ea | \$ 520.00 ea | _____ 1M Angled Shelf | | \$ 45.00 ea | \$ 60.00 ea |
| | | _____ 2M x 1/2M x 30" ht (4042) | \$ 550.00 ea | \$ 742.50 ea | _____ Halogen Arm Light | | \$ 90.00 ea | \$ 122.50 ea |
| | | _____ 2M x 1/2M x 43" ht (4044) | \$ 605.00 ea | \$ 817.50 ea | _____ Pamphlet pocket (5"x9") | | \$ 22.50 ea | \$ 30.00 ea |
| | | _____ Full View Showcases (4080) | \$ 725.00 ea | \$ 980.00 ea | _____ Letter pocket (9"x9") ... | | \$ 30.00 ea | \$ 40.00 ea |
| | | | | | _____ Brochure pocket (9"x11") | | \$ 37.50 ea | \$ 50.00 ea |
|  | | Free Standing Units | |  | | | | |
| | | Qty. Description | Discount Rate | | | Standard Rate | Room dimensions are limited to 1M and 1/2M increments. All Rooms come standard in your choice of White or Black Hardwall or Blue or Gray Velcro. If you desire additional colors, or Plexiglass, you may upgrade as indicated below. All door units are 1M wide. All Rooms are rented on a per meter basis. To calculate cost, figure the perimeter by adding the length and width and doubling. For example, a 3M x 3M office is calculated as 3m + 3M = 6M x 2 = 12M. (remember to subtract your door units from your total) Once you have calculated the Room Size, multiply by the per meter rate to calculate the total cost. Please provide a sketch or diagram of your booth showing dimensions and location of Room(s) and door units so that all may be installed prior to your arrival. | |
| | | _____ 8' x 1M Freestanding panel | \$ 250.00 ea | \$ 337.50 ea | | | | |
| | | _____ 8' x 1M Freestanding panel w/flower box (4032) | \$ 360.00 ea | \$ 485.00 ea | | | | |
| | | _____ One Sided Gondolas (4055) | \$ 330.00 ea | \$ 445.00 ea | | | | |
| | | _____ Two Sided Gondolas (4056) | \$ 400.00 ea | \$ 540.00 ea | | | | |
|  | | Kiosks & Towers | | Indicate Size and Color of Room#4021: <input type="checkbox"/> Room #1 (specify size) _____M x _____M = _____ Total M <input type="checkbox"/> Room #2 (specify size) _____M x _____M = _____ Total M <input type="checkbox"/> Locking Door Unit as Panel (White Only) #4022 <input type="checkbox"/> White Hardwall <input type="checkbox"/> Blue / Gray Velcro - Circle: Blue or Gray <input type="checkbox"/> Opt Color Hardwall (per Meter) #4092 <input type="checkbox"/> Opt Color Velcro (per Meter) #4093 <input type="checkbox"/> Optional Plexiglass (per Meter) #4096 | | | | |
| | | Qty. Description | Discount Rate | | | Standard Rate | DISCOUNT RATE | STANDARD RATE |
| | | _____ 8' Triangular Kiosk (4033).. | \$ 545.00 ea | \$ 735.00 ea | \$ 255.00/M | \$ 345.00 ea | | |
| | | _____ 8' Square Kiosks (4034) .. | \$ 725.00 ea | \$ 980.00 ea | \$ 255.00/M | \$ 345.00 ea | | |
| | | _____ Wire-wall Kiosks (4035) .. | \$ 290.00 ea | \$ 392.50 ea | \$ 330.00 ea | \$ 445.00 ea | | |
| | | _____ TV/DVD/VCR Cabinet (4036) | \$ 725.00 ea | \$ 980.00 ea | Included | Included | | |
| | | _____ 12' Triangular Towers (4037).. | \$ 660.00 ea | \$ 890.00 ea | Included | Included | | |
| | | _____ 12' Square Towers (4038) | \$ 875.00 ea | \$1,182.50 ea | \$ 85.00 ea | \$ 115.00 ea | | |
| | | | | | \$ 145.00 ea | \$ 195.00 ea | | |
| | | | | | \$ 145.00 ea | \$ 195.00 ea | | |
|  | | Shelving Units & Pedestals | | Custom Exhibit Services Contact our creative team at George Fern to design an exciting solution to meet your needs. The design staff is standing by to take your exhibit to the next level. We provide one of the highest levels of client interaction and creative problem solving. We can create a design for you based upon your ideas, whether those ideas are from a photograph, drawn on CAD or a napkin. | | | | |
| | | Qty. Description | Discount Rate | | | Standard Rate | | |
| | | _____ Shelf Cabinet Unit w/30" cabinet (4003) ... | \$ 725.00 ea | \$ 980.00 ea | | | | |
| | | _____ Shelf Cabinet Unit w/43" cabinet (4005) ... | \$ 800.00 ea | \$1,080.00 ea | | | | |
| | | _____ 1/2Mx1M Planter Box (4053) | \$ 110.00 ea | \$ 147.50 ea | | | | |
| | | _____ 1/2Mx30"ht Pedestals (4063) | \$ 220.00 ea | \$ 297.50 ea | | | | |
| | | _____ 1/2Mx43"ht Pedestals (4064) | \$ 290.00 ea | \$ 392.50 ea | | | | |

Logo's and other graphics can be applied to the walls of Rooms, Meter Panels, or other Accessory items, at competitive prices. We offer full color digital printing and laminating of your artwork, or if you prefer, we can create something custom graphics specifically designed to suit your needs. Please ask a George Fern Co. representative for assistance.

Remember to order the following items, as desired. They are **NOT** included in booth package:

- * Furniture * Electrical Service * Custom Lighting * Floral * Cleaning Service

Yes, I have completed and enclosed the Payment Form

No credit will be given after close of event on items or services ordered, but not received. If you have a problem please see the George Fern Co. Service Personnel at the event site prior to opening.

Sub Total: \$ _____
 6% State tax: \$ _____
TOTAL: \$ _____

Name of Event **Louisville Home, Garden & Remodeling Show #4-0091-10** Booth# _____ Phone () _____
 Firm Name _____ Fax # () _____
 Address _____ E-Mail _____
 Street City State Zip Code
 Print/Type Name _____ Signature _____ Date _____

Return to:
George Fern Company

Expositions • Corporate Events • Exhibits

Nationwide

3752 Crittenden Drive Louisville, Kentucky 40209-1122
 Telephone: 502.367.0254 Fax: 502.368.0284

**EXHIBIT FURNITURE RENTAL
 ORDER FORM**


DEADLINE February 19, 2010
 for return of this form:

Cancellation: Cancellation after deadline will be 50% of prevailing rate.
Late Request: Request after deadline will be filled as available at the standard rate.

Color Choice: Choices not indicated will be selected by George Fern Co.

| DISPLAY TABLES - 30" high x 2' wide | | | | | | DISPLAY TABLES COUNTERS - 40" high x 2' wide | | | | | |
|--|------|---|---------------|---------------|--------|--|------|---|---------------|---------------|--------|
| Qty. | Code | Description | Discount Rate | Standard Rate | Amount | Qty. | Code | Description | Discount Rate | Standard Rate | Amount |
| | 223 | 4' long table SKIRTED 3 sides | 72.25 | 97.50 | | | 229 | 4' long table SKIRTED 3 sides | 92.00 | 124.25 | |
| | 233 | 6' long table SKIRTED 3 sides | 92.00 | 124.25 | | | 239 | 6' long table SKIRTED 3 sides | 109.25 | 147.50 | |
| | 253 | 8' long table SKIRTED 3 sides | 111.50 | 150.50 | | | 259 | 8' long table SKIRTED 3 sides | 131.00 | 176.75 | |
| | 522 | 4th side skirted (additional) all sizes | 37.75 | 51.00 | | | 530 | 4th side skirted (additional) all sizes | 50.50 | 68.25 | |
| | 222 | 4' long table NOT skirted | 27.25 | 36.75 | | | 228 | 4' long table NOT skirted | 36.00 | 48.50 | |
| | 232 | 6' long table NOT skirted | 36.00 | 48.50 | | | 238 | 6' long table NOT skirted | 46.00 | 62.00 | |
| | 252 | 8' long table NOT skirted | 40.25 | 54.25 | | | 258 | 8' long table NOT skirted | 50.50 | 68.25 | |
| CHECK SKIRT COLOR (Includes Top Covered in White Plastic) | | | | | | CHECK SKIRT COLOR (Includes Top Covered in White Plastic) | | | | | |
| <input type="checkbox"/> Black (4) <input type="checkbox"/> Blue (6) <input type="checkbox"/> Gold (8) <input type="checkbox"/> Burgundy (11) <input type="checkbox"/> Plum (19) <input type="checkbox"/> Green (10) <input type="checkbox"/> Gray (9) <input type="checkbox"/> Red (14) <input type="checkbox"/> Teal (18) <input type="checkbox"/> White (16) | | | | | | <input type="checkbox"/> Black (4) <input type="checkbox"/> Blue (6) <input type="checkbox"/> Gold (8) <input type="checkbox"/> Burgundy (11) <input type="checkbox"/> Plum (19) <input type="checkbox"/> Green (10) <input type="checkbox"/> Gray (9) <input type="checkbox"/> Red (14) <input type="checkbox"/> Teal (18) <input type="checkbox"/> White (16) | | | | | |
| CHAIRS, STOOLS, COFFEE TABLES | | | | | | ACCESSORIES | | | | | |
| | 105 | Walnut Arm Chair, Grey | 50.50 | 68.25 | | | 401 | Wastebasket | 12.00 | 16.25 | |
| | 103 | Padded Side Chair, Grey | 42.00 | 56.75 | | | 409 | Chrome Bag Stand | 69.00 | 93.25 | |
| | 101 | Armless Side Chair, Black | 38.00 | 51.25 | | | 407 | Easel, tripod | 20.50 | 27.75 | |
| | 121 | Swivel Desk Chair | 59.50 | 80.25 | | | 413 | Chrome Clothes Tree | 31.50 | 42.50 | |
| | 131 | Stool - Padded with Back | 42.00 | 56.75 | | | 435 | Chrome Stanchion | 20.25 | 27.25 | |
| | 204 | Pedestal Table - 24" Dia. 18" ht. | 59.50 | 80.25 | | ft. | 437 | White Plastic Chain (per ft.) | 2.31 | 3.12 | |
| | 206 | Pedestal Table - 24" Dia. 30" ht. | 67.00 | 90.50 | | | 415 | Garment Rack - 5' long | 52.25 | 70.50 | |
| | 208 | Pedestal Table - 24" Dia. 40" ht. | 75.50 | 102.00 | | ft. | 507 | Special Skirting, 30" ht. | 6.50 | 8.80 | |
| | 207 | Pedestal Table - 30" Dia. 18" ht. | 67.00 | 90.50 | | ft. | 509 | Special Skirting, 40" ht. | 8.50 | 11.50 | |
| | 215 | Pedestal Table - 30" Dia. 30" ht. | 75.50 | 102.00 | | CHECK SPECIAL SKIRTING COLOR | | | | | |
| | 216 | Pedestal Table - 30" Dia. 40" ht. | 82.75 | 111.75 | | <input type="checkbox"/> Black (4) <input type="checkbox"/> Blue (6) <input type="checkbox"/> Gold (8) <input type="checkbox"/> Burgundy (11) <input type="checkbox"/> Plum (19) <input type="checkbox"/> Green (10) <input type="checkbox"/> Gray (9) <input type="checkbox"/> Red (14) <input type="checkbox"/> Teal (18) <input type="checkbox"/> White (16) | | | | | |
| | 209 | Pedestal Table - 36" Dia. 18" ht. | 75.50 | 102.00 | | | | | | | |
| | 224 | Pedestal Table - 36" Dia. 30" ht. | 82.75 | 111.75 | | | | | | | |
| | 225 | Pedestal Table - 36" Dia. 40" ht. | 91.00 | 122.75 | | | | | | | |
| TABLETOP RISERS - 12" Deep Covered White Plastic | | | | | | SPECIAL BOOTH DRAPERIES | | | | | |
| | 270 | 4' long, Single Step, 12" ht. | 16.75 | 22.50 | | ft. | 541 | Special color siderail drapes, 36" high - Price per linear foot. | 8.50 | 11.50 | |
| | 272 | 6' long, Single Step, 12" ht. | 25.75 | 34.75 | | ft. | 543 | Special color background drapes, 8' high - Price per linear foot. | 12.40 | 16.75 | |
| | 274 | 8' long, Single Step, 12" ht. | 33.75 | 45.50 | | CHECK DRAPERY COLOR | | | | | |
| | | | | | | <input type="checkbox"/> Black (4) <input type="checkbox"/> Blue (6) <input type="checkbox"/> Gold (8) <input type="checkbox"/> Burgundy (11) <input type="checkbox"/> Plum (19) <input type="checkbox"/> Green (10) <input type="checkbox"/> Gray (9) <input type="checkbox"/> Red (14) <input type="checkbox"/> Teal (18) <input type="checkbox"/> White (16) | | | | | |

Yes, I have completed and enclosed the Payment Form
 No credit will be given after close of event on items or services ordered, but not received. If you have a problem please see the George Fern Co. Service Desk Personnel at the event site prior to leaving.

 **Sub Total:** \$ _____
6% State tax: \$ _____
TOTAL: \$ _____

Name of Event **Louisville Home, Garden & Remodeling Show #4-0091-10** Booth# _____ Phone () _____
 Firm Name _____ Fax # () _____
 Address _____ E-Mail _____
 Street City State Zip Code
 Print/Type Name _____ Signature _____ Date _____

Return to:
George Fern Company

Expositions • Corporate Events • Exhibits

Nationwide

**CARPET RENTAL
ORDER FORM**

DEADLINE February 19, 2010

for return of this form:

3752 Crittenden Drive Louisville, Kentucky 40209-1122
 Telephone: 502.367.0254 Fax: 502.368.0284

Cancellation: Cancellation after deadline will be 50% of prevailing rate.
Late Request: Request after deadline will be filled as available at the standard rate.

Color Choice: Choices not indicated will be selected by George Fern Co.

PLUSH CARPET

Plush carpet is an upgraded 34oz. carpet, available in 12 decorator colors. Swatches will be sent to you upon request.

Cut carpet is designed for use in standard size exhibit booths. If complete area carpet for your space is desired, order by the complete area square footage. Complete area carpet includes trimming, seaming, wastage, edge taping, rental and removal for carpet specifically cut to your exact measurements.

| CARPET & PADDING PACKAGE | DISCOUNT RATE | STANDARD RATE | CARPET ONLY | DISCOUNT RATE | STANDARD RATE |
|---|---------------|--------------------|--|---------------|------------------|
| <input type="checkbox"/> 10 ft x 10 ft Carpet & Padding (335) --- | \$ 243.25 | \$ 328.50 | <input type="checkbox"/> 10 ft x 10 ft Carpet only (331) ----- | \$ 182.00 | \$ 245.75 |
| <input type="checkbox"/> 10 ft x 20 ft Carpet & Padding (336) -- | \$ 486.50 | \$ 656.75 | <input type="checkbox"/> 10 ft x 20 ft Carpet only (332) ----- | \$ 364.00 | \$ 491.50 |
| <input type="checkbox"/> 10 ft x 30 ft Carpet & Padding (337) --- | \$ 729.50 | \$ 984.75 | <input type="checkbox"/> 10 ft x 30 ft Carpet only (333) ----- | \$ 546.00 | \$ 737.00 |
| <input type="checkbox"/> 10 ft x 40 ft Carpet & Padding (338) --- | \$ 972.75 | \$ 1,313.25 | <input type="checkbox"/> 10 ft x 40 ft Carpet only (334) ----- | \$ 728.00 | \$ 982.75 |

Plush Complete Area Carpet (minimum order 100 sq/ft.)

| | DISCOUNT RATE | STANDARD RATE | TOTAL |
|--|------------------|-------------------------|------------|
| <input type="checkbox"/> Plush Carpet Sq/ft. (328) _____ FT x _____ FT = _____ SQ FT @ | \$ 3.02 / sq.ft. | \$ 4.08 / sq.ft. | = \$ _____ |
| <input type="checkbox"/> Padded Area Size (350) _____ FT x _____ FT = _____ SQ FT @ | \$.72 / sq.ft. | \$.97 / sq.ft. | = \$ _____ |
| <input type="checkbox"/> Plastic Covering Area (360) _____ FT x _____ FT = _____ SQ FT @ | \$.14 / sq.ft. | \$.19 / sq.ft. | = \$ _____ |

CHECK COLOR DESIRED FOR PLUSH CARPET:

- | | | | |
|--|--|--|---|
| <input type="checkbox"/> White - (63) | <input type="checkbox"/> Burgundy - (48) | <input type="checkbox"/> Gray Pearl - (64) | <input type="checkbox"/> Blue Mist - (68) |
| <input type="checkbox"/> French Beige - (65) | <input type="checkbox"/> Mocha - (61) | <input type="checkbox"/> Charcoal - (66) | <input type="checkbox"/> Colony Blue - (62) |
| <input type="checkbox"/> Cherry Red - (46) | <input type="checkbox"/> Emerald - (67) | <input type="checkbox"/> Ebony - (47) | <input type="checkbox"/> Berry - (51) |

TRADITIONAL CARPET

Cut carpet is designed for use in standard size exhibit booths. If complete area carpet for your space is desired, order by the complete area square footage. Complete area carpet includes trimming, seaming, wastage, edge taping, rental and removal for carpet specifically cut to your exact measurements.

| CARPET & PADDING PACKAGE | DISCOUNT RATE | STANDARD RATE | CARPET ONLY | DISCOUNT RATE | STANDARD RATE |
|---|---------------|------------------|---|---------------|------------------|
| <input type="checkbox"/> 9 ft x 10 ft Carpet & Padding (309) ---- | \$ 177.00 | \$ 239.00 | <input type="checkbox"/> 9 ft x 10 ft Carpet only (301) ----- | \$ 122.00 | \$ 164.75 |
| <input type="checkbox"/> 9 ft x 20 ft Carpet & Padding (310) ---- | \$ 354.25 | \$ 478.25 | <input type="checkbox"/> 9 ft x 20 ft Carpet only (302) ----- | \$ 244.00 | \$ 329.50 |
| <input type="checkbox"/> 9 ft x 30 ft Carpet & Padding (311) ---- | \$ 531.25 | \$ 717.25 | <input type="checkbox"/> 9 ft x 30 ft Carpet only (303) ----- | \$ 366.00 | \$ 494.00 |
| <input type="checkbox"/> 9 ft x 40 ft Carpet & Padding (312) ---- | \$ 708.25 | \$ 956.25 | <input type="checkbox"/> 9 ft x 40 ft Carpet only (304) ----- | \$ 488.00 | \$ 658.75 |

Traditional Complete Area Carpet (minimum order 100 sq/ft.)

| | DISCOUNT RATE | STANDARD RATE | TOTAL |
|--|------------------|-------------------------|------------|
| <input type="checkbox"/> Traditional Carpet Sq/ft. (314) _____ FT x _____ FT = _____ SQ FT @ | \$ 2.62 / sq.ft. | \$ 3.54 / sq.ft. | = \$ _____ |
| <input type="checkbox"/> Padded Area Size (350) _____ FT x _____ FT = _____ SQ FT @ | \$.72 / sq.ft. | \$.97 / sq.ft. | = \$ _____ |
| <input type="checkbox"/> Plastic Covering Area (360) _____ FT x _____ FT = _____ SQ FT @ | \$.14 / sq.ft. | \$.19 / sq.ft. | = \$ _____ |

CHECK COLOR DESIRED FOR TRADITIONAL CARPET:

- | | | | | | | | |
|------------------------------------|------------------------------------|-----------------------------------|-------------------------------------|--------------------------------------|------------------------------------|---------------------------------------|---------------------------------------|
| <input type="checkbox"/> Blue (06) | <input type="checkbox"/> Gray (09) | <input type="checkbox"/> Red (14) | <input type="checkbox"/> Black (04) | <input type="checkbox"/> Maroon (11) | <input type="checkbox"/> Plum (19) | <input type="checkbox"/> Seafoam (20) | <input type="checkbox"/> Madison (21) |
|------------------------------------|------------------------------------|-----------------------------------|-------------------------------------|--------------------------------------|------------------------------------|---------------------------------------|---------------------------------------|

Yes, I have completed and enclosed the Payment Form

No credit will be given after close of event on items or services ordered, but not received. If you have a problem please see the George Fern Co. Service Personnel at the event site prior to opening.

Sub Total: \$ _____
 6% State tax: \$ _____
TOTAL: \$ _____

Name of Event **Louisville Home, Garden & Remodeling Show #4-0091-10** Booth# _____ Phone () _____

Firm Name _____ Fax # () _____

Address _____ E-Mail _____

Street City State Zip Code
 Print/Type Name _____ Signature _____ Date _____

Return to:
George Fern Company

Expositions • Corporate Events • Exhibits

Nationwide

3752 Crittenden Drive Louisville, Kentucky 40209-1122
 Telephone: 502.367.0254 Fax: 502.368.0284

**CUSTOM FURNITURE
 RENTAL ORDER FORM**

DEADLINE February 19, 2010
 for return of this form:

CANCELLATION: Cancellation after deadline will be charged at 75% of prevailing rate.
LATE REQUEST: Request after deadline will be filled as available at the standard rate.

| Brochure Pages 2 - 8 | | | | Brochure Pages 9 - 15 | | | |
|----------------------|---|-----------|-----------------|-----------------------|---|-----------|-----------------|
| Qty. | Description | Discount | Standard | Qty. | Description | Discount | Standard |
| ___ (4301) | LC-614 Tribeca - Sectional - Black Mirco Fiber | \$ 250.00 | \$ 337.50 | ___ (4345) | LC-303 Princeton - Sofa - Black Leather | \$ 450.00 | \$ 607.50 |
| ___ (4302) | LC-615 Tribeca - Corner - Black Micro Fiber | \$ 275.00 | \$ 371.25 | ___ (4346) | LC-302 Princeton - Loveseat - Black Leather | \$ 395.00 | \$ 533.25 |
| ___ (4303) | LC-616 Tribeca - Bench - Black Micro Fiber | \$ 250.00 | \$ 337.50 | ___ (4347) | LC-301 Princeton - Club Chair - Black Leather | \$ 325.00 | \$ 438.75 |
| ___ (4304) | LC-803 Malibu - Sofa - Red Leather | \$ 575.00 | \$ 776.25 | ___ (4348) | TO-601 Sterling - Coffee Table - Glass/Silver | \$ 155.00 | \$ 209.25 |
| ___ (4305) | LC-804 Malibu - Chair & a Half - Red Leather | \$ 450.00 | \$ 607.50 | ___ (4349) | TO-602 Sterling - End Table - Glass/Silver | \$ 145.00 | \$ 195.75 |
| ___ (4306) | LC-805 Malibu - Bench - Red Leather | \$ 385.00 | \$ 519.75 | ___ (4350) | TL-101 Rialto - Table Lamp - Brushed Chrome | \$ 80.00 | \$ 108.00 |
| ___ (4307) | LC-800 Malibu - Sofa - White Leather | \$ 575.00 | \$ 776.25 | ___ (4351) | TO-501 Hampton - Coffee Table - Maple/Silver | \$ 160.00 | \$ 216.00 |
| ___ (4308) | LC-801 Malibu - Chair & a Half - White Leather ... | \$ 450.00 | \$ 607.50 | ___ (4352) | TO-502 Hampton - End Table - Maple/Silver | \$ 150.00 | \$ 202.50 |
| ___ (4309) | LC-802 Malibu - Bench - White Leather | \$ 385.00 | \$ 519.75 | ___ (4353) | LC-203 Manhattan - Sofa - Grey Velour | \$ 435.00 | \$ 587.25 |
| ___ (4310) | LC-601 Barcelona - Club Chair - Red Leather | \$ 350.00 | \$ 472.50 | ___ (4354) | LC-202 Manhattan - Loveseat - Grey Velour | \$ 380.00 | \$ 513.00 |
| ___ (4311) | LC-602 Barcelona - Ottoman - Red Leather | \$ 165.00 | \$ 222.75 | ___ (4355) | LC-201 Manhattan - Club Chair - Grey Velour | \$ 295.00 | \$ 398.25 |
| ___ (4312) | LC-603 Barcelona - Club Chair - White Leather ... | \$ 350.00 | \$ 472.50 | ___ (4356) | TO-700 Westport - Coffee Table - Espresso | \$ 160.00 | \$ 216.00 |
| ___ (4313) | LC-604 Barcelona - Ottoman - White Leather | \$ 165.00 | \$ 222.75 | ___ (4357) | TO-701 Westport - End Table - Espresso | \$ 150.00 | \$ 202.50 |
| ___ (4314) | LC-605 Barcelona - Club Chair - Black Leather | \$ 350.00 | \$ 472.50 | ___ (4358) | TO-702 Westport - Console Table - Espresso | \$ 195.00 | \$ 263.25 |
| ___ (4315) | LC-606 Barcelona - Ottoman - Black Leather | \$ 165.00 | \$ 222.75 | ___ (4359) | FL-101 Up Light - Floor Lamp - Chrome/Frosted . | \$ 135.00 | \$ 182.25 |
| ___ (4316) | LC-613 Paloma - Chair - Charcoal | \$ 200.00 | \$ 270.00 | ___ (4360) | LC-103 Westchester - Sofa - Cognac Leather | \$ 495.00 | \$ 668.25 |
| ___ (4317) | LC-612 Paloma - Chair - Red | \$ 200.00 | \$ 270.00 | ___ (4361) | LC-102 Westchester - Loveseat - Cognac | \$ 435.00 | \$ 587.25 |
| ___ (4318) | LC-611 Sausalito - Sofa - Black Suede | \$ 385.00 | \$ 519.75 | ___ (4362) | LC-101 Westchester - Club Chair - Cognac | \$ 335.00 | \$ 452.25 |
| ___ (4319) | LC-610 Sausalito - Loveseat - Black Suede | \$ 355.00 | \$ 479.25 | ___ (4363) | LC-705 Westchester - Ottoman - Cognac | \$ 165.00 | \$ 222.75 |
| ___ (4320) | LC-609 Sausalito - Club Chair - Black Suede | \$ 250.00 | \$ 337.50 | ___ (4364) | TO-101 Westchester - Coffee Table - Antique | \$ 165.00 | \$ 222.75 |
| ___ (4321) | TL-102 Sausalito - Table Lamp - Chrome/Frosted . | \$ 80.00 | \$ 108.00 | ___ (4365) | TO-102 Westchester - End Table - Antique | \$ 155.00 | \$ 209.25 |
| ___ (4322) | LC-618 Sausalito - Club Chair - Cobalt Blue | \$ 295.00 | \$ 398.25 | ___ (4366) | TO-401 Hamilton - Coffee Table - Cherry/Black | \$ 175.00 | \$ 236.25 |
| ___ (4323) | TO-201 Princeton - Coffee Table - Black Glass | \$ 165.00 | \$ 222.75 | ___ (4367) | TO-402 Hamilton - End Table - Cherry/Black | \$ 160.00 | \$ 216.00 |
| ___ (4324) | TO-202 Princeton - End Table - Black Glass | \$ 150.00 | \$ 202.50 | ___ (4368) | SB-201 Lennox - Bar Stool - Mahogany/Cream | \$ 160.00 | \$ 216.00 |
| ___ (4325) | LC-403 Cambridge - Sofa - Champagne | \$ 435.00 | \$ 587.25 | ___ (4369) | TB-103 Lennox - Bar Table - Mahogany | \$ 195.00 | \$ 263.25 |
| ___ (4326) | LC-402 Cambridge - Love Seat - Champagne | \$ 380.00 | \$ 513.00 | ___ (4370) | SB-202 Silk Back - Bar Stool - Black/Chrome | \$ 145.00 | \$ 195.75 |
| ___ (4327) | LC-401 Cambridge - Club Chair - Champagne | \$ 295.00 | \$ 398.25 | ___ (4371) | TB-206 Silk Back - Bar Table - 30" Black/Chrome . | \$ 160.00 | \$ 216.00 |
| ___ (4328) | TO-303 Metropolitan - Console Table - Cherry | \$ 185.00 | \$ 249.75 | ___ (4372) | TB-207 Silk Back - Bar Table - 36" Black/Chrome . | \$ 170.00 | \$ 229.50 |
| ___ (4329) | TO-302 Metropolitan - End Table - Cherry | \$ 150.00 | \$ 202.50 | ___ (4373) | SB-208 Trave - Bar Stool - Red Leather/Chrome | \$ 150.00 | \$ 202.50 |
| ___ (4330) | TO-301 Metropolitan - Coffee Table - Cherry | \$ 165.00 | \$ 222.75 | ___ (4374) | TB-100 Trave - Bar Table - Glass/Truss Base | \$ 250.00 | \$ 337.50 |
| ___ (4331) | TL-100 Corona - Table Lamp - Brushed Nickel | \$ 80.00 | \$ 108.00 | ___ (4375) | TB-102 Bombe - Bar Table - 2 Tier Black/Chrome .. | \$ 225.00 | \$ 303.75 |
| ___ (4332) | FL-100 Corona - Floor Lamp - Brushed Nickel | \$ 135.00 | \$ 182.25 | ___ (4376) | SB-203 Bombe - Bar Stool - Black/Chrome | \$ 165.00 | \$ 222.75 |
| ___ (4333) | LC-608 Pacifica - Sofa - Plum Velour | \$ 480.00 | \$ 648.00 | ___ (4377) | SB-200 Carmel - Bar Stool - Maple/Nickel/Cream . | \$ 145.00 | \$ 195.75 |
| ___ (4334) | LC-607 Pacifica - Club Chair - Plum Velour | \$ 350.00 | \$ 472.50 | ___ (4378) | TB-101 Carmel - Bar Table - Maple/Nickel | \$ 185.00 | \$ 249.75 |
| ___ (4335) | LC-617 Pacifica - Bench - Plum Velour | \$ 250.00 | \$ 337.50 | ___ (4379) | BC-121 Carmel - Etagere - Maple/Silver/Glass | \$ 395.00 | \$ 533.25 |
| ___ (4336) | FL-102 Touchier - Floor Lamp - Black | \$ 135.00 | \$ 182.25 | ___ (4380) | TG-400 Chrome & Glass - Table - 5' x 36" | \$ 360.00 | \$ 486.00 |
| ___ (4337) | LC-706 Kobe - Black Micro Suede | \$ 150.00 | \$ 202.50 | ___ (4381) | TG-403 Chrome & Glass - Table - 42" Dia. | \$ 250.00 | \$ 337.50 |
| ___ (4338) | LC-707 Kobe - Soft Plum Micro Suede | \$ 150.00 | \$ 202.50 | ___ (4382) | TG-401 Trestle - Table - 4' x 32" Chrome/Glass ... | \$ 275.00 | \$ 371.25 |
| ___ (4339) | LC-708 Kobe - Citrus Micro Suede | \$ 150.00 | \$ 202.50 | ___ (4383) | TG-402 Trestle - Table - 32" Sq. Chrome/Glass | \$ 250.00 | \$ 337.50 |
| ___ (4340) | LC-709 Kobe - Tangerine Micro Suede | \$ 150.00 | \$ 202.50 | ___ (4384) | CH-308 Silk Back - Chair - w/Arms | \$ 95.00 | \$ 128.25 |
| ___ (4341) | LC-703 Cube - Black Micro Suede | \$ 80.00 | \$ 108.00 | ___ (4385) | CH-307 Silk Back - Chair - w/o Arms | \$ 90.00 | \$ 121.50 |
| ___ (4342) | LC-701 Cube - Concentric Print Red Fabric | \$ 80.00 | \$ 108.00 | | | | |
| ___ (4343) | LC-704 Cube - Sunflower Fabric | \$ 80.00 | \$ 108.00 | | | | |
| ___ (4344) | LC-702 Cube - Red Micro Suede | \$ 80.00 | \$ 108.00 | | | | |

Yes, I have completed and enclosed the Payment Form

No credit will be given after close of event on items or services ordered, but not received. If you have a problem please see George Fern Co. Service Personnel at the event site prior to opening.

Charges listed above include delivery to your booth, rental (not sale) during the event, and removal.

Sub Total: \$ _____
 6% State tax: \$ _____
TOTAL: \$ _____

Name of Event **Louisville Home, Garden & Remodeling Show #4-0091-10** Booth# _____ Phone () _____
 Firm Name _____ Fax # () _____
 Address _____ E-Mail _____
 Street City State Zip Code
 Print/Type Name _____ Signature _____ Date _____

All orders are subject to the terms and conditions as outlined on the payment form.

Return to:
George Fern Company

Expositions • Corporate Events • Exhibits

Nationwide

3752 Crittenden Drive Louisville, Kentucky 40209-1122
 Telephone: 502.367.0254 Fax: 502.368.0284

**CUSTOM FURNITURE
 RENTAL ORDER FORM**

DEADLINE February 19, 2010
 for return of this form:

CANCELLATION: Cancellation after deadline will be charged at 75% of prevailing rate.
LATE REQUEST: Request after deadline will be filled as available at the standard rate.

| Brochure Pages 16 - 19 | | | | Brochure Pages 20 - 22 | | | |
|------------------------|---|-----------|-----------------|------------------------|---|-----------|-----------------|
| Qty. | Description | Discount | Standard | Qty. | Description | Discount | Standard |
| ___ (4386) | SB-204 Euro Black - Barstool - Black Vinyl..... | \$ 145.00 | \$ 195.75 | ___ (4431) | DE-131 Desk - Maple 60" x 30" Double Ped | \$ 450.00 | \$ 607.50 |
| ___ (4387) | CH-301 Euro Black - Chair - Black w/o Arms | \$ 80.00 | \$ 108.00 | ___ (4432) | DE-136 Desk - Maple 60" x 30" Single Ped | \$ 425.00 | \$ 573.75 |
| ___ (4388) | CH-302 Euro Black - Chair - Black w/Arms | \$ 85.00 | \$ 114.75 | ___ (4433) | CR-212 Credenza - Maple | \$ 425.00 | \$ 573.75 |
| ___ (4389) | TC-504 Euro Black - Cafe Table - 30" Blk/Chr | \$ 155.00 | \$ 209.25 | ___ (4434) | LF-206 Lateral File - Maple 2 Drawer w/lock | \$ 295.00 | \$ 398.25 |
| ___ (4390) | TC-505 Euro Black - Cafe Table - 36" Blk/Chr | \$ 165.00 | \$ 222.75 | ___ (4435) | DE-206 Desk - Walnut 60" x 30" Double Ped | \$ 395.00 | \$ 533.25 |
| ___ (4391) | TC-108 Euro Black - Cafe Table - 42" Blk/Chr | \$ 175.00 | \$ 236.25 | ___ (4436) | DE-201 Desk - Walnut 72" x 36" Double Ped | \$ 440.00 | \$ 594.00 |
| ___ (4392) | TC-502 Euro Black - Cafe Table - 30" Blk/Blk | \$ 155.00 | \$ 209.25 | ___ (4437) | DE-205 Credenza - Walnut | \$ 425.00 | \$ 573.75 |
| ___ (4393) | TC-503 Euro Black - Cafe Table - 36" Blk/Blk | \$ 165.00 | \$ 222.75 | ___ (4438) | DE-102 Desk - Grey 60" x 30" Double Ped | \$ 355.00 | \$ 479.25 |
| ___ (4394) | TC-107 Euro Black - Cafe Table - 42" Blk/Blk | \$ 175.00 | \$ 236.25 | ___ (4439) | CR-100 Credenza - Grey | \$ 355.00 | \$ 479.25 |
| ___ (4395) | TB-204 Euro Black - Bar Table - 30" Blk/Blk | \$ 160.00 | \$ 216.00 | ___ (4440) | BC-103 Bookcase - Grey 5 shelves | \$ 310.00 | \$ 418.50 |
| ___ (4396) | TB-205 Euro Black - Bar Table - 36" Blk/Blk | \$ 165.00 | \$ 222.75 | ___ (4441) | DE-300 Desk - Mahogany 72" x 36" Double Ped . | \$ 475.00 | \$ 641.25 |
| ___ (4400) | CH-309 Euro Maple - Chair - Maple/Black | \$ 115.00 | \$ 155.25 | ___ (4442) | CR-301 Credenza - Mahogany | \$ 475.00 | \$ 641.25 |
| ___ (4401) | TC-102 Euro Maple - Cafe Table - 42" | \$ 185.00 | \$ 249.75 | ___ (4443) | CH-908 Chair - High Back Burgundy Leather | \$ 215.00 | \$ 290.25 |
| ___ (4402) | CH-311 Park Ave - Cafe Chair - Maple/Chrome | \$ 135.00 | \$ 182.25 | ___ (4444) | BC-107 Bookcase - Mahogany 5 shelves | \$ 425.00 | \$ 573.75 |
| ___ (4403) | SB-209 Park Ave - Barstool - Maple/Chrome | \$ 150.00 | \$ 202.50 | ___ (4445) | CH-904 Chair - Guest Burgundy Leather | \$ 180.00 | \$ 243.00 |
| ___ (4404) | TC-500 Park Ave - Cafe Table - 30" Maple/Chr | \$ 155.00 | \$ 209.25 | ___ (4446) | CH-905 Chair - Guest w/casters Burg Leather | \$ 185.00 | \$ 249.75 |
| ___ (4405) | TC-501 Park Ave - Cafe Table - 36" Maple/Chr | \$ 165.00 | \$ 222.75 | ___ (4447) | LF-204 Lateral File - Walnut 2 Drawer w/lock | \$ 295.00 | \$ 398.25 |
| ___ (4406) | TB-200 Park Ave - Bar Table - 30" Maple/Chr | \$ 160.00 | \$ 216.00 | ___ (4448) | BC-109 Bookcase - Walnut 5 shelves | \$ 325.00 | \$ 438.75 |
| ___ (4407) | TB-201 Park Ave - Bar Table - 36" Maple/Chr | \$ 170.00 | \$ 229.50 | ___ (4449) | TC-104 Queen Anne - Table - 42" Mahogany | \$ 350.00 | \$ 472.50 |
| ___ (4408) | CH-404 Conference - High Back Exec - Blue/Blk .. | \$ 175.00 | \$ 236.25 | ___ (4450) | CH-900 Queen Anne - Chair - Mahogany/Cream .. | \$ 125.00 | \$ 168.75 |
| ___ (4409) | CH-405 Conference - High Back Exec - Blk/Chr | \$ 175.00 | \$ 236.25 | ___ (4451) | DE-601 Queen Anne - Writing Desk - Mahogany | \$ 275.00 | \$ 371.25 |
| ___ (4410) | CH-201 Conference - High Back Exec - Black | \$ 175.00 | \$ 236.25 | ___ (4452) | LF-106 Lateral File - Black 2 Drawer | \$ 275.00 | \$ 371.25 |
| ___ (4411) | CH-200 Conference - Mid Back Exec - Black | \$ 165.00 | \$ 222.75 | ___ (4453) | VF-202 Vertical File - Black 4 Drawer Legal | \$ 165.00 | \$ 222.75 |
| ___ (4412) | TC-600 Conference - Table - 6' Maple Rectangle ... | \$ 395.00 | \$ 533.25 | ___ (4454) | VF-203 Vertical File - Grey 4 Drawer Legal | \$ 165.00 | \$ 222.75 |
| ___ (4413) | TC-601 Conference - Table - 8' Maple Rectangle ... | \$ 425.00 | \$ 573.75 | ___ (4455) | VF-200 Vertical File - Black 2 Drawer Legal | \$ 135.00 | \$ 182.25 |
| ___ (4414) | TC-312 Conference - Table - 6' Black Oval T | \$ 395.00 | \$ 533.25 | ___ (4456) | VF-201 Vertical File - Grey 2 Drawer Legal | \$ 135.00 | \$ 182.25 |
| ___ (4415) | TC-300 Conference - Table - 10' Grey Oval | \$ 495.00 | \$ 668.25 | ___ (4457) | LF-101 Lateral File - Grey 2 Drawer | \$ 275.00 | \$ 371.25 |
| ___ (4416) | TC-301 Conference - Table - 10' Black Oval | \$ 495.00 | \$ 668.25 | ___ (4458) | AC-111 Refrigerator - 4 cu ft | \$ 270.00 | \$ 364.50 |
| ___ (4417) | TC-309 Conference - Table - 6' Black Oval | \$ 395.00 | \$ 533.25 | ___ (4459) | AC-112 Bar - Black 2 shelves | \$ 250.00 | \$ 337.50 |
| ___ (4418) | TC-303 Conference - Table - 8' Black Oval | \$ 425.00 | \$ 573.75 | ___ (4460) | PE-103 Pedestal - Black - 14" x 14" x 30" | \$ 175.00 | \$ 236.25 |
| ___ (4419) | TC-307 Conference - Table - 6' Mahogany Oval | \$ 395.00 | \$ 533.25 | ___ (4461) | PE-102 Pedestal - Black - 14" x 14" x 36" | \$ 190.00 | \$ 256.50 |
| ___ (4420) | TC-302 Conference - Table - 8' Mahogany Oval | \$ 450.00 | \$ 607.50 | ___ (4462) | PE-101 Pedestal - Black - 14" x 14" x 42" | \$ 225.00 | \$ 303.75 |
| ___ (4421) | CH-102 Conference - Chair - Guest Black Leather . | \$ 175.00 | \$ 236.25 | ___ (4463) | PE-108 Pedestal - Grey - 14" x 14" x 30" | \$ 175.00 | \$ 236.25 |
| ___ (4422) | CH-101 Conference - Chair - High Back Black | \$ 215.00 | \$ 290.25 | ___ (4464) | PE-107 Pedestal - Grey - 14" x 14" x 36" | \$ 190.00 | \$ 256.50 |
| ___ (4423) | CH-100 Conference - Chair - Mid Exec Black | \$ 180.00 | \$ 243.00 | ___ (4465) | PE-106 Pedestal - Grey - 14" x 14" x 42" | \$ 225.00 | \$ 303.75 |
| ___ (4424) | CH-907 Conference - Chair - Parsons Black | \$ 135.00 | \$ 182.25 | ___ (4466) | PE-113 Pedestal - White - 14" x 14" x 30" | \$ 175.00 | \$ 236.25 |
| ___ (4425) | CH-202 Conference - Chair - Black Sled Base | \$ 155.00 | \$ 209.25 | ___ (4467) | PE-112 Pedestal - White - 14" x 14" x 36" | \$ 190.00 | \$ 256.50 |
| ___ (4426) | CH-203 Conference - Chair - High Back Grey | \$ 175.00 | \$ 236.25 | ___ (4468) | PE-111 Pedestal - White - 14" x 14" x 42" | \$ 225.00 | \$ 303.75 |
| ___ (4427) | CH-400 Task - Chair - Black/Casters w/arms | \$ 130.00 | \$ 175.50 | ___ (4469) | PE-104 Pedestal - Black - 24" x 24" x 36" | \$ 275.00 | \$ 371.25 |
| ___ (4428) | CH-401 Task - Chair - Black/Casters w/o arms | \$ 125.00 | \$ 168.75 | ___ (4470) | PE-109 Pedestal - Grey - 24" x 24" x 36" | \$ 275.00 | \$ 371.25 |
| ___ (4429) | SD-100 Task - Chair - Black/Casaters w/arms | \$ 165.00 | \$ 222.75 | ___ (4471) | PE-114 Pedestal - White - 24" x 24" x 36" | \$ 275.00 | \$ 371.25 |
| ___ (4430) | SD-101 Task - Chair - Black/Casters w/o arms | \$ 160.00 | \$ 216.00 | ___ (4472) | TO-605 Pedestal - Table Black - 24" x 24" x 21" ... | \$ 225.00 | \$ 303.75 |
| ___ (4475) | AC-100 Coat Tree - Black | \$ 85.00 | \$ 114.75 | ___ (4473) | TO-603 Pedestal - Table Black - 24" x 24" x 16" ... | \$ 180.00 | \$ 243.00 |
| ___ (4476) | AC-104 Literature Rack - Black | \$ 125.00 | \$ 168.75 | ___ (4474) | TO-604 Pedestal - Table Black - 30" x 30" x 16" ... | \$ 195.00 | \$ 263.25 |
| ___ (4477) | PE-100 Storage Pedestal - Black - 24" x 24" x 42" ... | \$ 350.00 | \$ 472.50 | ___ (4479) | PE-110 Storage Pedestal - White - 24" x 24" x 42" ... | \$ 350.00 | \$ 472.50 |
| ___ (4478) | PE-105 Storage Pedestal - Grey - 24" x 24" x 42" . | \$ 350.00 | \$ 472.50 | ___ (4480) | TC-700 Computer Counter Walk Up - Graphite | \$ 165.00 | \$ 222.75 |
| ___ (4481) | TC-701 Computer Desk - Graphite | \$ 155.00 | \$ 209.25 | | | | |

Yes, I have completed and enclosed the Payment Form

No credit will be given after close of event on items or services ordered, but not received. If you have a problem please see George Fern Co. Service Personnel at the event site prior to opening.

Charges listed above include delivery to your booth, rental (not sale) during the event, and removal.

Sub Total: \$ _____
 6% State tax: \$ _____
TOTAL: \$ _____

Name of Event **Louisville Home, Garden & Remodeling Show #4-0091-10** Booth# _____ Phone () _____
 Firm Name _____ Fax # () _____
 Address _____ E-Mail _____
 Street City State Zip Code
 Print/Type Name _____ Signature _____ Date _____

Return to:
George Fern Company

Expositions • Corporate Events • Exhibits

Nationwide

3752 Crittenden Drive Louisville, Kentucky 40209-1122
 Telephone: 502.367.0254 Fax: 502.368.0284

**CLEANING SERVICE
 ORDER FORM**

DEADLINE **February 19, 2010**
 for return of this form:

Cancellation: Cancellation of any portion of Cleaning order after deadline, and before service, will be charged at 25% of prevailing rate.

The cleaning services provided by the exhibit hall include only a general sweeping of the aisle. All rental carpets ordered from the Geo. E. Fern Co. are installed in clean condition. Any cleaning service required within your booth space for debris accumulated during set-up and exhibit hours should be ordered below.

VACUUMING / SHAMPOO

All rates are based on the total square footage of your exhibit space. (100 square foot minimum)

Please check preference below:

- (903) DAILY - Vacuum carpet, empty wastebaskets and clean ashtrays before initial opening of exhibit and DAILY thereafter \$.30 Per Sq/ft. per day
 - (931) DAILY - Over 1000 Sq.Ft. \$.25 Per Sq/ft. per day
 - (901) ONCE Vacuum carpet, empty wastebaskets and clean ashtrays ONCE before opening of exhibit \$.33 Per Sq/ft.
 - (905) SHAMPOO - ONCE before initial opening of exhibit \$.55 Per Sq/ft.
- There will be an additional charge for cleaning carpets that are subjected to excessive wear and tear such as wood or metal shavings generated by demonstrations in the booth, food sampling, landscape, etc.

PORTER SERVICE

Empty wastebasket and police exhibit space at two hour intervals during show hours.

- (915) Periodical Porter Service \$220.00 Per Day

Please check preference below:

- DAILY
- ONCE --- Specify Day: _____ Date: _____
- OTHER --- Specify Day(s) Date(s) _____

DISPLAY WIPE DOWN

- (919) Display Wipe Down before initial opening (4 Hour minimum per day) \$ 58.50 per hr. S/T or \$117.00 per hr. O/T
- (920) Display Wipe Down daily (4 Hour minimum per day) \$ 58.50 per hr. S/T or \$117.00 per hr. O/T

SPECIAL INSTRUCTIONS / CONCERNS

ESTIMATE CLEANING SERVICES COST FOR ADVANCE PAYMENT

- * Exhibit Space: _____ ft. x ft. _____ = _____ sq. ft. (100 sq. ft. min.) x _____ per sq. ft. x _____ days = \$ _____
- * Porter Service: _____ days x \$214.00 per day _____ = \$ _____
- * Display Cleaning: _____ hours (4 Hour minimum per day) x _____ day(s) x \$ 58.50 per hr. S/T or \$117.00 per hr. O/T = \$ _____

Yes, I have completed and enclosed the Payment Form **Sub Total:** \$ _____
 No credit will be given after close of event on items or services ordered, but not received. If you have a problem please see George Fern Co. Service Personnel at the event site prior to opening. **TOTAL:** \$ _____

Name of Event **Louisville Home, Garden & Remodeling Show #4-0091-10** Booth# _____ Phone () _____
 Firm Name _____ Fax # () _____
 Address _____ E-Mail _____
 Street City State Zip Code
 Print/Type Name _____ Signature _____ Date _____

Return to:
George Fern Company
Expositions • Corporate Events • Exhibits
Nationwide

3752 Crittenden Drive Louisville, Kentucky 40209-1122
 Telephone: 502.367.0254 Fax: 502.368.0284

DISPLAY LABOR SERVICE
ORDER FORM

(THIS FORM IS NOT FOR UNLOADING AND RELOADING -
 SEE DRAYAGE SERVICE)

DEADLINE February 19, 2010

for return of this form:

Cancellation: Cancellation of any portion of labor order within 48 hours of start will be charged 1 hour minimum per man at the applicable hourly rate.

Late Request: Request received on-site will be filled as work force is available.

PLAN A - SUPERVISION BY GEORGE FERN CO.

To save time and alleviate exhibitor supervision, Plan A (Supervision by George Fern Co.) is provided so that exhibits may be installed prior to the exhibitor's arrival. All pertinent information should be directed to us, including blueprints, photographs, shipping information and set-up instructions. Professionally trained personnel are used on installation/dismantles, and where possible, all work is performed on straight time. Charge for supervised service is 30% (with a minimum of \$50.00 per installation and/or dismantle) of the total labor bill. **Please provide an emergency contact telephone number:** (_____) _____.

| ORDER: | Number of Men Required Minimum of two | Estimated Hours (one hour increments) Each Man |
|-------------------------------|--|---|
| (1017) Labor for Installation | | |
| (1019) Labor for Dismantle | | |

PLAN B - SUPERVISION BY EXHIBITOR PERSONNEL

Starting time can be guaranteed only in those instances where men are requested for the start of the working day, which is 8:00 A.M., unless official set-up time is set to begin later in the day. While every attempt will be made to provide men at a time requested subsequent to 8:00 A.M. (or official set-up time), such starting time must be approximate, since men are assigned to jobs at the start of the day and it is impossible to gauge exact time of completion of first job assignment. **It is important that exhibit representative check in at service desk to pick up labor ordered.** Exhibit representative must also check the labor back in at the service desk upon completion of work. All work to be done under supervision of the exhibitor or his representative.

| ORDER: | Number of Men Required | Estimated Hours (one hour increments) Each Man | Start Time | Start Date | No. Days |
|-------------------------------|------------------------|---|------------|------------|----------|
| (1017) Labor for Installation | | | | | |
| (1019) Labor for Dismantle | | | | | |

Supervisor will be: _____
 Phone: (_____) _____

Note: If exhibitor fails to pick up men at time ordered, a one hour per man no-show charge will be assessed.

RATES: ESTIMATED DISPLAY LABOR COST FOR ADVANCED PAYMENT

Charges for labor service are based on prevailing rates of labor and materials. All labor before 8:00 A.M. and after 4:30 P.M. weekdays and all hours Saturday, Sunday, and holidays will be charged at overtime rate. Minimum charge one (1) hour per man, billed in one (1) hour increments. For information and cost relative to unloading and reloading please see the Shipping Information and Service Order Form enclosed. This form is not intended for the ordering of unloading/loading services. **SEE DRAYAGE SERVICE FORM.**


INSTALLATION
 _____ # of men x _____ # of hours per man x _____ # of days = _____ Total straight time hours x \$ 58.50 / hr. = _____
 _____ # of men x _____ # of hours per man x _____ # of days = _____ Total over time hours x \$ 117.00 / hr. = _____
Add 30% if supervised by George Fern Co. (\$ 50.00 min.) = _____

DISMANTLE
 _____ # of men x _____ # of hours per man x _____ # of days = _____ Total straight time hours x \$ 58.50 / hr. = _____
 _____ # of men x _____ # of hours per man x _____ # of days = _____ Total over time hours x \$ 117.00 / hr. = _____
Add 30% if supervised by George Fern Co. (\$ 50.00 min.) = _____

NOTE:
 Your company is encouraged to carry insurance covering potential damages or loss associated with your display. The George Fern Company will NOT be responsible for damage or loss of display materials. In any case, the liability of the George Fern Company will be limited to a maximum of 50% of the total labor bill, not to exceed \$1000.

Yes, I have completed and enclosed the Payment Form

No credit will be given after close of event on items or services ordered, but not received.
 If you have a problem please see George Fern Co. Service Personnel at the event site prior to opening.

 **Sub Total:** \$ _____
 \$ **NO TAX ON LABOR**
TOTAL: \$ _____

Name of Event **Louisville Home, Garden & Remodeling Show #4-0091-10** Booth# _____ Phone (_____) _____
 Firm Name _____ Fax # (_____) _____
 Address _____ E-Mail _____
 Street City State Zip Code
 Print/Type Name _____ Signature _____ Date _____

All orders are subject to the terms and conditions as outlined on the payment form.

Return to:
George Fern Company
Expositions • Corporate Events • Exhibits
Nationwide

3752 Crittenden Drive Louisville, Kentucky 40209-1122
 Telephone: 502.367.0254 Fax: 502.368.0284

**FORKLIFT WITH OPERATOR
 SERVICE ORDER FORM**

(THIS FORM IS NOT FOR UNLOADING AND RELOADING -
 SEE DRAYAGE SERVICE)

DEADLINE February 19, 2010

for return of this form:

Cancellation: Cancellation of any portion of labor order within 48 hours of start will be charged 1 hour minimum per man at the applicable hourly rate.

Late Request: Request received on-site will be filled as work force is available.

LABOR WITH FORKLIFT TO RIG IN BOOTH

If your exhibit includes large header signs, cantilever structures, heavy display components or machinery which cannot be lifted in place by display carpenters, you will require a forklift with operator in your booth for installation and removal. The forklift with operator cost to the exhibitor is billed at hourly increments with a one (1) hour minimum. If additional decorators are required, prevailing decorator labor charges will be assessed. If you have forklift questions, please call the George Fern Co. at 502-367-0254. **It is important that exhibit representative check in at service desk to pick up labor ordered.**

ORDER FOR FORKLIFT FOR IN-BOOTH WORK

| ORDER: | Number of Men Required | Estimated Hours (one hour increments) Each Man | Start Date | Start Time | Estimated Finish Time | Estimated Total Time |
|-------------------------------|------------------------|--|------------|------------|-----------------------|----------------------|
| (1005) Labor for Installation | | | | | | |
| (1007) Labor for Dismantle | | | | | | |

RATES: ESTIMATED RIGGING LABOR COST FOR ADVANCE PAYMENT

Charges for forklift are based on prevailing rates for labor and materials. All labor before 8:00 A.M. and after 4:30 P.M. weekdays, all day Saturday, Sunday and holidays will be charged at the Overtime rate. Forklift and operator is billed at hourly rate with a minimum charge of one (1) hour per man, billed in one (1) hour increments. For information and costs related to Labor To Install Displays, Labor To Hang Signs, or Labor For Unloading Services - refer to other forms in this Service Kit.

INSTALLATION

____ # of Fork/operators x ____ # of hours per man x ____ # of days ____ Total straight time hours x \$158.50 / hr. = _____

____ # of Fork/operators x ____ # of hours per man x ____ # of days ____ Total over time hours x \$217.00 / hr. = _____

Add 30% if supervised by George Fern Co. (\$ 50.00 min.) = _____

DISMANTLE


____ # of Fork/operators x ____ # of hours per man x ____ # of days ____ Total straight time hours x \$158.50 / hr. = _____

____ # of Fork/operators x ____ # of hours per man x ____ # of days ____ Total over time hours x \$217.00 / hr. = _____

Add 30% if supervised by George Fern Co. (\$ 50.00 min.) = _____

NOTE:
 Your company is encouraged to carry insurance covering potential damages or loss associated with your display. The George Fern Company will NOT be responsible for damage or loss of display materials. In any case, the liability of the George Fern Company will be limited to a maximum of 50% of the total labor bill, not to exceed \$1000.

Yes, I have completed and enclosed the Payment Form
 No credit will be given after close of event on items or services ordered, but not received.
 If you have a problem please see George Fern Co. Service Personnel at the event site prior to opening.

 **Sub Total:** \$ _____
NO TAX ON LABOR
TOTAL: \$ _____

Name of Event **Louisville Home, Garden & Remodeling Show #4-0091-10** Booth# _____ Phone () _____

Firm Name _____ Fax # () _____

Address _____ E-Mail _____

Street City State Zip Code

Print/Type Name _____ Signature _____ Date _____

All orders are subject to the terms and conditions as outlined on the payment form.

Special Notice

Sign Hanging orders received (with advance payment in full) by the deadline of
February 19, 2010
will be discounted by 20%

\$253.60 per hour Straight Time
\$347.20 per hour Over Time

Orders received after the deadline or without advance payment will be charged at the prevailing rates listed.

Return to:
George Fern Company

Expositions • Corporate Events • Exhibits

Nationwide

3752 Crittenden Drive Louisville, Kentucky 40209-1122
 Telephone: 502.367.0254 Fax: 502.368.0284

**HANGING SIGN SERVICE
 ORDER FORM**

DEADLINE February 19, 2010

for return of this form:

Cancellation: Cancellation of any portion of labor order within 48 hours of start will be charged 1 hour minimum per man at the applicable hourly rate.

Late Request: Request received on-site will be filled as work force is available.

OVERHEAD SIGN INSTALLATION INFORMATION

1. All hanging signs must conform to Show Management rules and regulations and facility limitations.
2. Height limitation from the floor to the top of sign is 16' above island booths, unless otherwise specified in show rules and regulations.
3. Overhead hanging signs should be sent in separate containers and marked "overhead sign".
4. George Fern Co. will be responsible for pre-assembling all hanging signs.
5. All signs must have rigging points, with the exception of cloth banners.
6. Exhibitor is responsible for rental costs of any sign hanging/rigging materials as determined at time of installation.
7. Set up instructions must be provided for signs needing assembly.
8. Placement diagram must be submitted with your order. Complete exhibit area layouts showing sign placement and orientation are required.
9. All signs requiring electricity must have electric ordered in advance on the enclosed Electrical Service Order Form from the official electrical contractor.

OVERHEAD SIGN DESCRIPTION

1. TYPE: Cloth Banner Metal or Wood Other _____
2. SHAPE: Square Rectangle Circle Triangle Other _____
3. SIZE: _____ Height _____ Length _____ Width _____ Weight _____
4. ELECTRICAL: NO YES If yes, order electric on Electrical Service Order Form.
5. Does your sign require assembly? NO YES

* Send a diagram to represent your booth space. Indicate how far in from each boundry you would like your sign placed.

* The ceiling structure and relation to support beams may require your sign to be moved from your specified location.

ORDER FOR HIGHLIFT AND CREW

| ORDER: | Number of Crew Required | Estimated Hours (one hour increments) Each Crew | Start Date | Start Time | Estimated Finish Time | Estimated Total Time |
|---|-------------------------|---|------------|------------|-----------------------|----------------------|
| (1051) Highlift and Crew for Installation | | | | | | |
| (1053) Highlift and Crew for Dismantle | | | | | | |

NOTE: HIGHTLIFT CREW CONSISTS OF OPERATOR, PLUS ONE DECORATOR (IF REQUIRED).

RATES: ESTIMATED HIGHLIFT LABOR COST FOR ADVANCE PAYMENT

Charges for sign hanging labor and highlift are based upon prevailing rates for decorator labor and highlift. All decorator labor before 8:00 A.M. and after 4:30 P.M. weekdays all day Saturday, Sunday and holidays will be charged at Overtime rate. There is a minimum charge one (1) hour per crew, billed in one (1) hour increments. If additional decorators are required, prevailing decorator labor charges will be assessed. Please refer to the Display Labor Service Order Form for rate information. For additional information and cost related to Labor To Install Displays, Labor With Forklift To Rig In Booth, or for Labor For Unloading Services - refer to other forms within this service kit.

| | |
|--|------------|
| INSTALLATION | |
| _____ # of crews x _____ # of hours per crew x _____ # of days _____ Total straight time hours x \$ 317.00 / hr. | = \$ _____ |
| _____ # of crews x _____ # of hours per crew x _____ # of days _____ Total over time hours x \$434.00 / hr. | = \$ _____ |
| Add 30% if supervised by George Fern Co. (\$ 50.00 min.) | |
| = \$ _____ | |
| DISMANTLE | |
| _____ # of crews x _____ # of hours per crew x _____ # of days _____ Total straight time hours x \$ 317.00 / hr. | = \$ _____ |
| _____ # of crews x _____ # of hours per crew x _____ # of days _____ Total over time hours x \$ 434.00 / hr. | = \$ _____ |
| Add 30% if supervised by George Fern Co. (\$ 50.00 min.) | |
| = \$ _____ | |

NOTE:

Your company is encouraged to carry insurance covering potential damages or loss associated with your display. The George Fern Company will NOT be responsible for damage or loss of display materials. In any case, the liability of the George Fern Company will be limited to a maximum of 50% of the total labor bill, not to exceed \$1000.

Yes, I have completed and enclosed the Payment Form



Sub Total: \$ _____

No credit will be given after close of event on items or services ordered, but not received.

\$ **NO TAX ON LABOR**

If you have a problem please see George Fern Co. Service Personnel at the event site prior to opening.

TOTAL: \$ _____

Name of Event **Louisville Home, Garden & Remodeling Show #4-0091-10** Booth# _____ Phone () _____

Firm Name _____ Fax # () _____

Address _____ E-Mail _____

Street City State Zip Code
 Print/Type Name _____ Signature _____ Date _____

Return to:
George Fern Company
 Expositions • Corporate Events • Exhibits

Nationwide

3752 Crittenden Drive Louisville, Kentucky 40209-1122
 Telephone: 502.367.0254 Fax: 502.368.0284

**SHIPPING INFORMATION AND
 FREIGHT SERVICE ORDER FORM -
 PAGE 1**

DEADLINE February 19, 2010

for return of this form:

Important: Complete the Freight Payment computation below based upon your estimated shipments and return this form with your payment and the Payment Authorization form included with this service kit.

INSTRUCTIONS

- All shipments must be sent prepaid. Collect shipments will not be accepted.
- The Advance Warehouse will **ONLY** accept packaged shipments, including crates, boxes and skids. Loose shipments will not be accepted unless the delivering carrier cannot deliver the shipment to the facility, in which case a 50% surcharge will be added to the warehouse rate.
- Loose, uncrated, van, or specializes carrier shipments should be sent **DIRECTLY** to the **CONVENTION FACILITY** to arrive **AFTER 8:00 AM** on the first day of the exhibitor installation.
- Consignment or delivery of a shipment to George Fern Co., or it's subcontractors by an Exhibitor or Shipper on behalf of the Exhibitor will be construed as an acceptance by the Exhibitor of the Freight Terms and Conditions on the front and reverse of this page.
- Outbound bills of lading must be filled out and turned into the exhibitor service desk. If designated carriers are to be used, the exhibitor must make those arrangements directly with the carrier. If designated carrier fails to show in required time frame, shipment will be reconsigned to house carrier. If no return information is provided, freight will be forced to house carrier.

ADVANCE RECEIVING WAREHOUSE

* Label each piece of your shipment(s) as follows:
 TO: (NAME OF EXHIBITING COMPANY)
 c/o George Fern Co.
 3752 Crittenden Drive
 Louisville, KY 40209
 Event: Louisville Home, Garden & Remodeling Show
 Exhibitor Space #: YOUR SPACE # ASSIGNMENT
 Must arrive by: Friday, February 26, 2010

DIRECT TO EVENT SITE

* Label each piece of your shipment(s) as follows:
 TO: (NAME OF EXHIBITING COMPANY)
 c/o George Fern Co.
 KY Exposition Center
 937 Phillips Lane, Louisville, KY 40209
 Event: Louisville Home, Garden & Remodeling Show
 Exhibitor Space #: YOUR SPACE # ASSIGNMENT
 Target arrival on: Monday, March 1, 2010

FREIGHT RATE SCHEDULE

Rates below include receipt of your freight; delivery to the booth; storage; and return of empty crates; and the end of the show movement of your freight from the booth to the dock and reloading on trucks. Cost for freight per cwt (100 lbs or fraction) with a **200 lb. minimum per shipment applies.**

| CATEGORY | DESCRIPTION | RECEIVED AT | RATE/CWT. |
|----------|---|-------------------|--|
| A | Crated or skidded shipments to | Advance Warehouse | 62.50 |
| B | Crated or skidded shipments via van lines or specialized carriers, Fed-Ex, UPS, or US Mail. | Advance Warehouse | 78.13 |
| C | Shipments requiring special handling, i.e. loose, uncrated, or late freight to | Advance Warehouse | 93.75 |
| D | Crated or skidded shipments to | Event Site | 57.50 |
| E | Crated or skidded shipments via van lines or specialized carriers, Fed-Ex, UPS, or US Mail. | Event Site | 71.88 |
| F | Shipments requiring special handling, i.e. loose, uncrated, or early freight to | Event Site | 86.25 |
| P | Small Package Shipment (shipments not exceeding 50 lbs per shipment) via FedEx, UPS or Overnight Carrier to the Event Site. | Event Site | \$35.00 1st carton \$15.00 ea addl carton |

FREIGHT PAYMENT COMPUTATION

Enter estimated total pounds of all your shipments by rounding up each total shipment weight to the nearest 100 pounds (i.e. one 232 lb. shipment of any number of pieces would be figured as 300 lbs., 590 lbs. of any number of pieces would be figured as 600 lbs., 705 lbs. as 800 lbs., etc.) any shipment with a total of 200 lbs. or less should be calculated at 200 lb. minimum

| Category (A,B,C,D,E,F) | Numbers of Pieces | Weight (Min. 200 lbs.) | Rate/CWT | Total |
|------------------------|-------------------|------------------------|----------|------------|
| Shipment 1 | _____ | _____ lbs. | x _____ | = \$ _____ |
| Shipment 2 | _____ | _____ lbs. | x _____ | = \$ _____ |
| Shipment 3 | _____ | _____ lbs. | x _____ | = \$ _____ |

Yes, I have completed and enclosed the Payment Form

No credit will be given after close of event on items or services ordered, but not received. If you have a problem please see the George Fern Co. Service Desk Personnel at the event site prior to leaving.

Please be sure to read both pages of this SHIPPING INFORMATION AND DRAYAGE SERVICE ORDER FORM. Other conditions are applicable as stated on 2nd page.



Sub Total: \$ _____
TOTAL: \$ NO TAX ON DRAYAGE SERVICE _____

Name of Event **Louisville Home, Garden & Remodeling Show #4-0091-10** Booth# _____ Phone () _____
 Firm Name _____ Fax # () _____
 Address _____ E-Mail _____
 Street City State Zip Code
 Print/Type Name _____ Signature _____ Date _____

Return to:
George Fern Company
Expositions • Corporate Events • Exhibits
Nationwide

**SHIPPING INFORMATION AND
 FREIGHT SERVICE ORDER FORM -
 PAGE 2**

3752 Crittenden Drive Louisville, Kentucky 40209-1122
 Telephone: 502.367.0254 Fax: 502.368.0284

DEADLINE February 19, 2010
 for return of this form:

George Fern Co. must be advised (3) three weeks in advance of delivery date of any oversized freight (single pieces over 3500 lbs. or odd shaped pieces) which will require unloading / reloading.

MISCELLANEOUS DRAYAGE SERVICES / COST AND GENERAL INFORMATION

SPECIAL SERVICES AND RATES - (2201) Steel banding or (1039) shrink wrap for the packaging of displays and equipment is available at the Drayage Contractors service desk for \$.75 per lin. ft. plus (1037) labor at prevailing rates. (702) Fork lifts and drivers are available for particular spotting of equipment with-in your exhibit space After delivery to your exhibit space at prevailing rates for equipment and labor. Please order this service in advance, see **"Display Labor and Inbooth Forklift Service Order Form"**. (9997) Mobile equipment will be moved into and out of the exhibit facility for \$ 100.00 per round trip. This service MUST be scheduled in advance - *PLEASE CALL*.

COLLECT SHIPMENTS may be refused or accepted at the option of the Official Drayage Contractor. In cases where the Drayage Contractor elects to receive such shipments, the responsible exhibitor or shipper will be notified immediately and payment in full for all charges due must be wired to the Drayage Contractor within 24 hours. A twenty-five (25%) special service surcharge will be added to the freight bill for handling any consignments under these conditions. A \$ 10.00 MINIMUM fee will apply to this service.

HAULING TO OR FROM LOCAL FACILITIES - (706) Local delivery/pick-up will be charged at prevailing rates; *In addition to appropriate cwt. charges for drayage services rendered.*

INBOUND AND OUTBOUND TRAFFIC SCHEDULES are the responsibility of George Fern Co. / the Official Drayage Contractor. To assure orderly and expeditious handling of exhibit material into and out of the event facility, it is required that exhibitors, including local companies, clear all movement of exhibit material through the Drayage Contractor, who is prepared to handle local pickups and deliveries on a co-ordinated schedule. It is also recommended that in order to minimize congestion and comply with union requirements all shipments be channeled through the Official Drayage Contractor.

OUTBOUND SHIPPING INSTRUCTIONS should be given to the Official Drayage Contractor at the Convention Center Service area during the Exposition or Immediately after its close. If outbound shipping information is available prior to show commencement, forward instructions to the Drayage Contractor. All bills of lading and shipping instructions covering outbound shipments will be checked at the time of actual loading and corrections made where discrepancies exist. Freight remaining on the exhibit floor without proper instructions for disposition will be removed by the Drayage Contractor and shipped with the information available at the time. Under no circumstances will the Drayage Contractor be liable for shipping errors subsequent to the convention unless it has received specific written instructions and has failed to honor them.

DAMAGE TO EXHIBITS while they are being loaded, unloaded or conveyed to the various booths or common carrier by the Drayage Contractor will be its responsibility. The Drayage Contractor **WILL NOT** be responsible for damage to materials improperly packed, concealed damage, loss or theft of exhibitors materials after same have been delivered to the booth, or before materials have been picked up for loading out of the booth. In any case, the liability of the Drayage Contractor is limited to \$.10 per pound/per article, with a maximum of \$ 50.00 per item, and a maximum of \$ 1,000.00 per shipment. The shipper is encouraged to make arrangements with its insurance carrier if values of articles or shipments are in excess of those stated above.

EXHIBITS LOSS OR DISAPPEARANCE The George Fern Company and its subcontractors are not, and cannot be, responsible for loss or disappearance of the material of the exhibitor after such material has been delivered to the Exhibitor's booth. Relative to inbound shipments, there may be a lapse of time between the delivery of shipment(s) to the applicable booth by the George Fern Company or its subcontractors, and the arrival of Exhibitor's representative at the booth. During such time the shipment(s) will be left unattended in the booth. The George Fern Company and its subcontractors shall not be responsible for any loss or damage that may occur during such period.

Similarly, the George Fern Company and its subcontractors cannot be responsible for loss or disappearance of Exhibitor's material before Exhibitor's material is picked up from the Exhibitor's booth for loading after the exhibition. All bills-of-lading covering outgoing shipments that are given to the George Fern Company by the Exhibitor will be checked at the time of pick-up from the booth, and corrections will be made at such time if discrepancies exist. Relative to outgoing shipments, it is possible that there will be a lapse of time between the completion of the packing and the pick up of material from the booths for loading onto a carrier, and during such time the shipment(s) will be left unattended in the booth. The George Fern Company and its subcontractors shall not be responsible of any loss or damage that may occur during such period. The George Fern Company and its subcontractors will adjust the quantities of items on any bill-of-lading submitted to the George Fern Company or its subcontractors to conform to the actual count of such items in the booth at the time of pick-up and shipment.

DISPUTES In the event of any dispute between an Exhibitor and the George Fern Company relative to any loss of or damage to such Exhibitor's material, such Exhibitor shall not be entitled to and shall not withhold payment of any amount due to the George Fern Company for any services provided by the George Fern Company as any offset against the amount of any alleged loss or damage. Instead, such Exhibitor shall pay the George Fern Company within thirty days from the close of the exhibition to which Exhibitor's shipment(s) relates(s) for all service, and such Exhibitor shall pursue any claim against the George Fern Company independently as a completely separate transaction to be resolved on its own merits. No claims for loss or damage will be considered until payment in full for all services performed by the George Fern Company has been received.

INSURANCE Exhibitors are urged to carry all-risk floater insurance covering their materials against damage, loss, theft and all hazards from the time shipment is made prior to the show until shipments are returned after the show.

EXHIBITS TO BE STORED (9998) will be charged at a minimum monthly rate of \$ 20.00 or a rate of \$ 2.00 cwt. per month or fraction thereof. No charge will be made for inbound shipments when received 14 days or less prior to the event. Please call if 15 day or longer storage is required.

Name of Event Louisville Home, Garden & Remodeling Show #4-0091-10 Booth# _____ Phone () _____

Firm Name _____ Fax # () _____

Address _____ E-Mail _____

Street City State Zip Code

Print/Type Name _____ Signature _____ Date _____

All orders are subject to the terms and conditions as outlined on the payment form.

RUSH CONVENTION EXHIBIT MATERIAL

FOR ADVANCE WAREHOUSE ONLY

MUST BE RECEIVED BY:

Friday, February 26, 2010

To:

(Your Company Name)

**SITE: George Fern Company
3752 Crittenden Drive
Louisville, KY 40209**

Attn: Louisville Home, Garden & Remodeling Show

Booth Number: _____

Number _____ of _____ pieces

RUSH CONVENTION EXHIBIT MATERIAL

FOR ADVANCE WAREHOUSE ONLY

MUST BE RECEIVED BY:

Friday, February 26, 2010

To:

(Your Company Name)

**SITE: George Fern Company
3752 Crittenden Drive
Louisville, KY 40209**

Attn: Louisville Home, Garden & Remodeling Show

Booth Number: _____

Number _____ of _____ pieces

RUSH CONVENTION EXHIBIT MATERIAL

FOR DIRECT TO SHOW SITE

MUST TARGET DELIVERY FOR:

Monday, March 1, 2010

(Do **NOT** Deliver Before)

To:

(Your Company Name)

SITE:

George Fern Company

Kentucky Exposition Center

937 Phillips Lane

Louisville, KY 40209

Attn: Louisville Home, Garden & Remodeling Show

Booth Number: _____

Number _____ of _____ pieces

RUSH CONVENTION EXHIBIT MATERIAL

FOR DIRECT TO SHOW SITE

MUST TARGET DELIVERY FOR:

Monday, March 1, 2010

(Do **NOT** Deliver Before)

To:

(Your Company Name)

SITE:

George Fern Company

Kentucky Exposition Center

937 Phillips Lane

Louisville, KY 40209

Attn: Louisville Home, Garden & Remodeling Show

Booth Number: _____

Number _____ of _____ pieces

OUTBOUND SHIPPING
PREPRINTED BILL OF
LADING & SHIPPING LABELS

Louisville Home, Garden & Remodeling Show

Booth Number: _____

Company Name: _____

The George Fern Company will prepare your outbound Bill of Lading Shipping & Labels if you choose to fill out the required information below and return to our office, via fax 502/368-0284, by the deadline date of **Feb. 19, 2010**. If you do not choose to complete and return this form, there will be blank Bills of Lading and Shipping Labels available at the George Fern Service Desk on-site.

EVERY OUTBOUND SHIPMENT REQUIRES A GEORGE FERN COMPANY BILL OF LADING FOR EACH DESTINATION. EACH SHIPMENT MUST ALSO BE LABELED.

Ship to:

(Company Name)

(Street Address)

(City/State/Zip code)

(Attention)

(Telephone)

Requested Delivery Date & Time: _____
(If Necessary)

Quantity of Labels Required: _____ Carrier: _____

OUR HOUSE CARRIER IS YRC. YOU MAY USE ANOTHER CARRIER OF YOUR CHOICE, HOWEVER YOU WILL NEED TO SCHEDULE THE PICK UP. ALL FREIGHT CARRIERS MUST BE CHECKED IN NO LATER THAN: Noon, Monday March 8, 2010

The facility address for carrier pick up is, KEC, 937 Phillips Lane, Louisville, KY 40209

Freight Charges to:

(Company Name)

(Street Address)

(City/State/Zip code)

(Attention)

(Telephone)

IF ANY OF YOUR OUTBOUND SHIPPING INFORMATION ABOVE HAPPENS TO CHANGE, PLEASE NOTIFY US AS SOON AS POSSIBLE. THE GEORGE FERN COMPANY WILL NOT BE RESPONSIBLE FOR ANY SHIPMENTS SHIPPED OUT INCORRECTLY.

YOUR PREPRINTED BILL OF LADING & SHIPPING LABELS WILL BE DELIVERED TO YOUR BOOTH DURING SHOW HOURS ON **Sunday, March 7, 2010**. ONCE YOUR SHIPMENT IS PACKED/LABELED AND READY TO SHIP, PLEASE RETURN THE BILL OF LADING (COMPLETE WITH PIECE COUNT & ESTIMATED WEIGHT) TO THE EXHIBITOR SERVICE DESK. **SHIPMENTS LEFT ON THE FLOOR WITHOUT PAPERWORK TURNED IN WILL BE FORCED WITH OUR OFFICIAL CARRIER AT THE EXHIBITOR'S EXPENSE.**

Return to:
George Fern Company

Expositions • Corporate Events • Exhibits

Nationwide

3752 Crittenden Drive Louisville, Kentucky 40209-1122
 Telephone: 502.367.0254 Fax: 502.368.0284

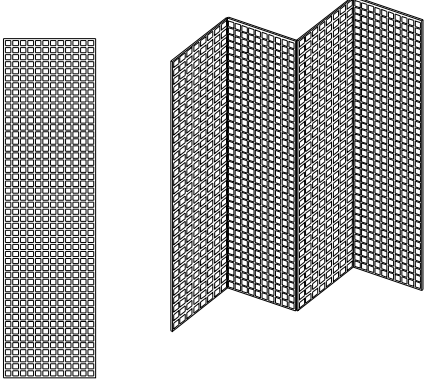
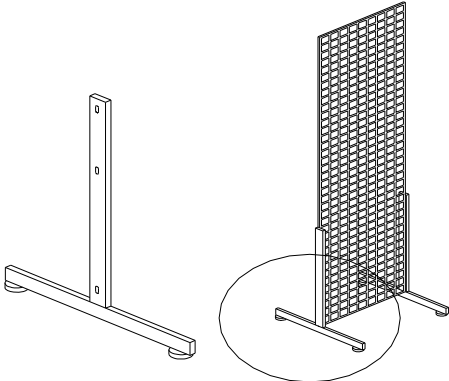
**WIRE MESH GRIDS
 ORDER FORM**

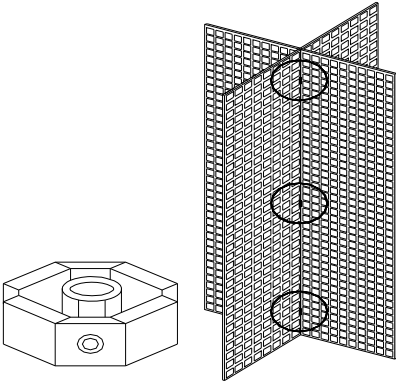
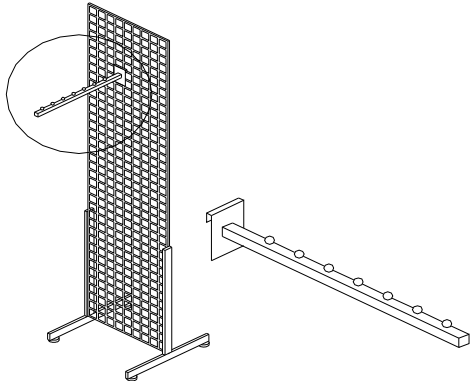
DEADLINE **February 19, 2010**
 for return of this form:

CANCELLATION: Cancellation after deadline will be charged at 50% of prevailing rate.

LATE REQUEST: Request received after deadline will be filled as available, at the standard rate.

WIRE MESH GRID SYSTEM

| | | | |
|------------|--|------------|---|
| 475 | GRID PANELS BLACK 24" X 96" (Price per panel) | 476 | GRID LEGS BLACK (Price per leg) |
| |  | |  |

| | | | |
|------------|--|------------|--|
| 477 | 4-WAY CONNECTORS CONNECTS 4 GRID PANELS @ 90° ANGLE (Price each connector) | 478 | 7-WAY WATERFALL BLACK (Price each) |
| |  | |  |

| Quantity | Style (See Illustrations) | Discount Rate | Standard Rate | Quantity | Style (See Illustrations) | Discount Rate | Standard Rate |
|----------|---------------------------|-------------------|--------------------|----------|---------------------------|-------------------|--------------------|
| ___ | (475) Grid Panel, 2' x 8' | \$ 67.00 ea. | \$ 90.50 ea | ___ | (476) Grid Legs | \$ 10.50 ea. | \$ 14.25 ea |
| ___ | (477) 4-Way Connector | \$ 2.25 ea. | \$ 3.00 ea | ___ | (478) 7-Way Waterfall | \$ 8.25 ea. | \$ 11.25 ea |

Yes, I have completed and enclosed the Payment Form

No credit will be given after close of event on items or services ordered, but not received.

If you have a problem please see Geo. E. Fern Co. Service Personnel at the event site prior to opening.

➡ **Sub Total :** \$ _____
6% State Tax : \$ _____
Total : \$ _____

Name of Event **Louisville Home, Garden & Remodeling Show #4-0091-10** Booth# _____ Phone () _____

Firm Name _____ Fax # () _____

Address _____ E-Mail _____

Street City State Zip Code

Print/Type Name _____ Signature _____ Date _____

All orders are subject to the terms and conditions as outlined on the payment form.

Return to:
George Fern Company

Expositions • Corporate Events • Exhibits

Nationwide

3752 Crittenden Drive Louisville, Kentucky 40209-1122
 Telephone: 502.367.0254 Fax: 502.368.0284

**PANELBOARD RENTAL
 ORDER FORM**

DEADLINE February 19, 2010

for return of this form:

Cancellation: Cancellation after deadline will be 50% of prevailing rate.

Late Request: Request after deadline will be filled as available at the standard rate.

Color Choice: Choices not indicated will be selected by George Fern Co.

PLEASE INDICATE TYPE AND STYLE OF PANEL REQUIRED.

BULLETIN BOARDS **STYLES**

| Quantity | Style <small>(See Illustrations) ⇨</small> | Discount Rate | Standard Rate |
|-----------|---|------------------|--------------------|
| ___ (603) | 4' x 8' Grey Velcro Style H & V only | \$ 90.00 ea... | \$117.00 ea |

(Circle One)

TACKBOARD

| Quantity | Style <small>(See Illustrations) ⇨</small> | Discount Rate | Standard Rate |
|-----------|---|----------------------|--------------------|
| ___ (611) | 4' x 8' tackboard panel | ___ \$110.00 ea. ... | \$143.00 ea |
| ___ (609) | 2' x 8' tackboard panel | ___ \$ 90.00 ea..... | \$117.00 ea |

Covered in your selection of colored vinyl to coordinate with your display.

| | | | |
|-------------------------------------|--------------------------------------|-------------------------------------|-------------------------------------|
| <input type="checkbox"/> (06) Blue | <input type="checkbox"/> (08) Yellow | <input type="checkbox"/> (04) Black | <input type="checkbox"/> (14) Red |
| <input type="checkbox"/> (16) White | <input type="checkbox"/> (11) Maroon | <input type="checkbox"/> (10) Green | <input type="checkbox"/> (07) Brown |

PERFORATED BOARD

| Quantity | Style <small>(See Illustrations) ⇨</small> | Discount Rate | Standard Rate |
|-----------|---|-----------------------|--------------------|
| ___ (615) | 4' x 8' perf. board panel | ___ \$ 90.00 ea. | \$117.00 ea |
| ___ (613) | 2' x 8' perf. board panel | ___ \$ 75.00 ea..... | \$ 97.50 ea |

Perforated board is painted white but may be painted in a solid color of your selection at additional cost of ...

| | | | |
|-----------|--------------------------------------|------------------|--------------------|
| ___ (619) | Special color for 4'x8' (additional) | \$ 50.00 ea..... | \$ 65.00 ea |
| ___ (617) | Special color for 2'x8' (additional) | \$ 50.00 ea..... | \$ 65.00 ea |

Specify color _____

Perforated board hooks NOT provided. 1/4" size hooks required.

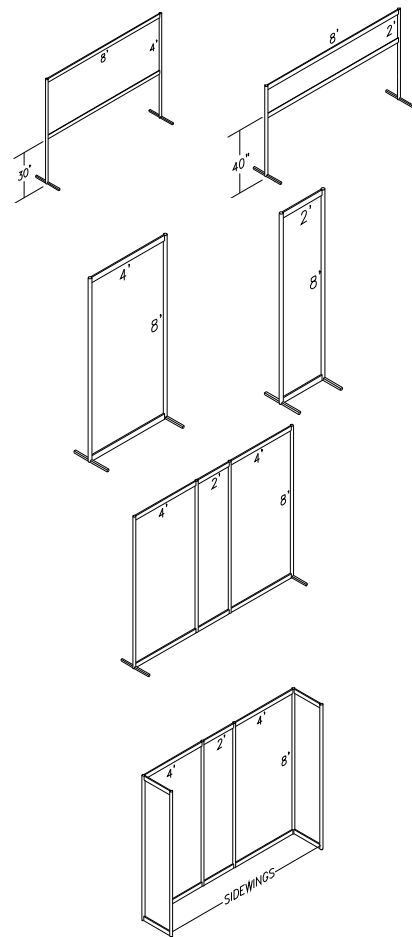
SHELVING (FOR PERORATED BOARD ONLY)

| Quantity | Style <small>(See Illustrations) ⇨</small> | Discount Rate | Standard Rate |
|-----------|---|-----------------------|--------------------|
| ___ (631) | 4' long x 6" deep-white | ___ \$ 12.00 ea. | \$ 15.50 ea |
| ___ (635) | 8' long x 6" deep-white | ___ \$ 21.00 ea..... | \$ 27.50 ea |
| ___ (637) | Special color (per shelf addition) | ___ \$ 12.00 ea..... | \$ 15.50 ea |

Specify color _____

LABOR (REQUIRED FOR STYLE B & C)

| | | |
|------------|-------------------|--------------|
| ___ (1036) | ___ hr. labor s/t | ___ \$58.50 |
| ___ (1036) | ___ hr. labor o/t | ___ \$117.00 |



STYLE "H"
Horizontal
 (1) 4' x 8'
 (1) 2' x 8'

STYLE "V"
Vertical
 (1) 4' x 8'
 (1) 2' x 8'

STYLE "B"
 Style B requires
 (2) 4' x 8' panels
 and (1) 2' x 8' panel
 per 10' wide backboard.
 *Plus labor to install
 minimum 1 hour

STYLE "C"
 Style B requires
 (2) 4' x 8' panels and
 (1) 2' x 8' panel per 10'
 backboard. Side wings
 can be ordered as either
 (2) 4' x 8' panels or
 (2) 2' x 8' panels.
 *Plus labor to install
 minimum 1 hour

Please indicate below the desired depth of side wings and be sure to include side wing returns in your order for Style "C".

2' deep 4' deep

Yes, I have completed and enclosed the Payment Form
 No credit will be given after close of event on items or services ordered, but not received. If you have a problem please see the George Fern Co. Service Desk Personnel at the event site prior to leaving.

⇨ **Sub Total Equipment (taxable):** \$ _____
6% Tax on Equipment: \$ _____
Labor: \$ _____
Total: \$ _____

Name of Event **Louisville Home, Garden & Remodeling Show #4-0091-10** Booth# _____ Phone () _____

Firm Name _____ Fax # () _____

Address _____ E-Mail _____

Street City State Zip Code

Print/Type Name _____ Signature _____ Date _____

Return to:
George Fern Company
 Expositions • Corporate Events • Exhibits

**SIGN AND ART WORK
 ORDER FORM**

Nationwide

DEADLINE February 19, 2010

3752 Crittenden Drive Louisville, Kentucky 40209-1122
 Telephone: 502.367.0254 Fax: 502.368.0284

for return of this form:

- Cancellation:** No refunds on orders cancelled after deadline.
Late Request: Request after deadline will be filled as available at the standard rate.
Color Choice: Choices not indicated will be selected by George Fern Co.

This form is to be used for ordering special signs or artwork (NOT your booth I.D. Sign). There are two types of sign styles available to choose from. The first is signs created using computer cut vinyl graphics. These are good for one, two, or three color simple signs in solid colors. For more elaborate artwork with color gradients, we offer full color digital signs. Complex process color logos are an example of this. Prices indicated below are based on preparation of sign from customer copy or, if digital, computerized artwork supplied.

PRESSURE SENSITIVE VINYL SIGNS **FOUR COLOR DIGITAL SIGNS**

Prices indicated below are based upon 10 words per card and one color copy on white background. Signs other than sizes listed below will be prepared on a pro-rata price basis. Minimum order - \$ 30.00

Prices indicated below are based upon process color printing, mounting, and laminating on showcard or foamcore. Signs other than sizes listed below will be prepared on a sq/ft basis, rounded to the nearest 1/2 ft. x 1/2 ft. Minimum order - \$ 35.00

| Qty. | Code | Description | Discount Rate | Standard Rate | Amount |
|------|-------|-------------------------------|----------------|-----------------------|----------|
| ___ | (801) | 7" x 11" Card | \$ 35.00 | \$ 52.50 | \$ _____ |
| ___ | (803) | 11" x 14" Card | \$ 40.00 | \$ 60.00 | \$ _____ |
| ___ | (805) | 14" x 22" Card | \$ 45.00 | \$ 67.50 | \$ _____ |
| ___ | (807) | 7" x 44" Card | \$ 45.00 | \$ 67.50 | \$ _____ |
| ___ | (811) | 14" x 44" Card | \$ 65.00 | \$ 97.50 | \$ _____ |
| ___ | (813) | 22" x 28" Card | \$ 70.00 | \$ 105.00 | \$ _____ |
| ___ | (815) | 28" x 44" Card | \$ 90.00 | \$ 135.00 | \$ _____ |
| ___ | (819) | 24" x 96" Foamcore | \$ 200.00 | \$ 300.00 | \$ _____ |
| ___ | (821) | 48" x 96" Foamcore | \$ 250.00 | \$ 375.00 | \$ _____ |
| ___ | (899) | Other _____ x _____ | Call for Quote | | \$ _____ |
| ___ | (827) | Easel back for card signs . | \$ 10.00 | \$ 15.00 | \$ _____ |
| ___ | (829) | Words in excess of 10 | \$ 1.50 | \$ 2.25 | \$ _____ |
| ___ | (831) | Colored card | \$ 7.50 | \$ 11.25 | \$ _____ |
| ___ | (833) | Additional color lettering \$ | 7.50 | \$ 11.25 | \$ _____ |

| Qty. | Code | Description | Discount Rate | Standard Rate | Amount |
|------|-------|-----------------------------|---------------|-----------------------|----------|
| ___ | (861) | 7" x 11" Card | \$ 45.00 | \$ 67.50 | \$ _____ |
| ___ | (863) | 11" x 14" Card | \$ 50.00 | \$ 75.00 | \$ _____ |
| ___ | (865) | 14" x 22" Card | \$ 60.00 | \$ 90.00 | \$ _____ |
| ___ | (867) | 7" x 44" Card | \$ 60.00 | \$ 90.00 | \$ _____ |
| ___ | (871) | 14" x 44" Card | \$ 85.00 | \$ 127.50 | \$ _____ |
| ___ | (873) | 22" x 28" Card | \$ 90.00 | \$ 135.00 | \$ _____ |
| ___ | (875) | 28" x 44" Card | \$ 105.00 | \$ 157.50 | \$ _____ |
| ___ | (879) | 24" x 96" Foamcore | \$ 264.00 | \$ 396.00 | \$ _____ |
| ___ | (881) | 48" x 96" Foamcore | \$ 576.00 | \$ 864.00 | \$ _____ |
| ___ | (882) | Other _____ x _____ | \$16.50sq/ft. | \$24.75sq/ft | \$ _____ |
| ___ | (883) | Senra _____ x _____ | \$18.00sq/ft. | \$27.00sq/ft | \$ _____ |
| ___ | (827) | Easel back for card signs . | \$ 10.00 | \$ 15.00 | \$ _____ |

Emblems, trademarks, logos, special style lettering, etc., can be prepared at extra cost depending on size and amount of work involved in production. Advance quotations can be provided upon submission of copy.

Emblems, trademarks, logos, special style lettering, etc., are *inclusive* of the above prices, if provided to us in digital format. Please provide in a PC vector format if available, or PC Raster is the second option. If you can only provide in Mac format, we will attempt to convert, but cannot guarantee 100% accuracy in conversion. If you have any questions on formats supported, please call.

PLEASE INDICATE COLOR OF SIGN AND LETTERING: **PLEASE CHECK TYPE OF SIGN DESIRED:**

COLOR OF BACKGROUND _____ COLOR OF LETTERING _____

Vertical Sign Horizontal Sign

INDICATE SIGN COPY

[] See Attached

Yes, I have completed and enclosed the Payment Form

No credit will be given after close of event on items or services ordered, but not received. If you have a problem please see the George Fern Co. Service Desk Personnel at the event site prior to leaving.

Sub Total: \$ _____
6% State tax: \$ _____
TOTAL: \$ _____

Name of Event **Louisville Home, Garden & Remodeling Show #4-0091-10** Booth# _____ Phone () _____
 Firm Name _____ Fax # () _____
 Address _____ E-Mail _____
 Street City State Zip Code
 Print/Type Name _____ Signature _____ Date _____

All orders are subject to the terms and conditions as outlined on the payment form.

Return to:
George Fern Company
 Expositions • Corporate Events • Exhibits
Nationwide

**EXHIBIT LIGHTING
 ORDER FORM**

DEADLINE **February 19, 2010**
 for return of this form:

3752 Crittenden Drive Louisville, Kentucky 40209-1122
 Telephone: 502.367.0254 Fax: 502.368.0284

Cancellation: Cancellation after deadline will be 75% of prevailing rate.
Late Request: Request after deadline will be filled as available at the standard rate.

SPECIAL EXHIBIT AREA LIGHTING

| QUANTITY | DESCRIPTION | DISCOUNT RATE | STANDARD RATE |
|----------|-------------|---------------|---------------|
|----------|-------------|---------------|---------------|

FLOOR SUPPORTED LIGHTING FIXTURES

| | | | |
|--------------|---|----------|-----------------|
| _____ (1360) | 150 Watt Flood Mounted on 8' ht. Standard (not including electrical power) | \$ 56.75 | \$ 73.75 |
| _____ (1361) | 300 Watt Flood Mounted on 8' ht. Standard (not including electrical power) | \$ 77.25 | \$100.50 |

CEILING MOUNTED LIGHTING FIXTURES

| | | | |
|--------------|---|--------------|---------------------|
| _____ (1365) | 1000 Watt Ceiling Mounted * Par Can Fixture (not including electrical power and labor) | \$100.00 | \$150.00 |
| _____ (1041) | Hours labor in, _____ (1043) Hours labor out at | \$ 58.50 S/T | \$117.00 O/T |


* Ceiling mounted light is provided on a fixture rental cost (as indicated above) plus hourly labor cost of \$ 58.50 per man hour S/T or \$ 117.00 per man hour O/T, to install and dismantle.
 Labor cost normally averages 3 hours per 1,000 Watt ceiling mounted fixture ordered. **Be sure to include payment of this projected labor cost with your order.**

IMPORTANT NOTE: The facility is responsible for running electrical power to your specified location. Please request your order for electrical power needs by completing the Electrical Order Form enclosed. Provide as much detail as is possible relative to "exact location in which you desire outlet to be placed.

Please attach blueprint showing locations and vantage point of lighting and item(s) which will require lighting. This information is vital to achieving a smooth installation as well as possibly enabling us to perform services at the lower hourly rate of Straight Time.

Yes, I have completed and enclosed the Payment Form

No credit will be given after close of event on items or services ordered, but not received.
 If you have a problem please see George Fern Co. Service Personnel at the event site prior to opening.

 **Sub Total Labor (non taxable):** \$ _____
Sub Total Equipment (taxable): \$ _____
6% Tax on Equipment: \$ _____
Total: \$ _____

Name of Event **Louisville Home, Garden & Remodeling Show #4-0091-10** Booth# _____ Phone () _____
 Firm Name _____ Fax # () _____
 Address _____ E-Mail _____
 Street City State Zip Code
 Print/Type Name _____ Signature _____ Date _____

Return to:
George Fern Company

Expositions • Corporate Events • Exhibits

Nationwide

3752 Crittenden Drive Louisville, Kentucky 40209-1122
 Telephone: 502.367.0254 Fax: 502.368.0284

**AUDIO-VISUAL EQUIPMENT
 RENTAL ORDER FORM**

DEADLINE **February 19, 2010**
 for return of this form:

Cancellation: Cancellation after deadline will be 75% of prevailing rate.
Late Request: Request after deadline will be filled as available at the standard rate.

Delivery of Audio Visual equipment is conducted approximately 1 hour PRIOR to show opening. A Booth Delivery / Pick-up Charge of \$60.00 will be assessed on all Audio Visual Orders. This charge is non-taxable, and is included in the calculations below. Equipment will be removed immediately following final closing of event. If you have a need for any equipment that is not listed below, please direct your inquiries to the address, fax or phone number listed above.

FLAT PANEL DISPLAYS

| QUANTITY | DESCRIPTION | DISCOUNT RATE | STANDARD RATE | EXTENSION |
|----------|---|------------------|-------------------|-----------|
| _____ | (1803) 15" Flat Panel Display - (Computer Only) | \$ 200.00 | \$ 280.00 | _____ |
| _____ | (1805) 17" Flat Panel Display - (Computer Only) | \$ 280.00 | \$ 392.00 | _____ |
| _____ | (1806) 19" Flat Panel Display - (Video or Computer, w/speakers) | \$ 390.00 | \$ 546.00 | _____ |
| _____ | (1810) 26" Flat Panel Display - (Video or Computer, w/speakers) | \$ 650.00 | \$ 910.00 | _____ |
| _____ | (1812) 32" Flat Panel Display - (Video or Computer, w/speakers) | \$ 900.00 | \$ 1260.00 | _____ |
| _____ | (1760) 42" Plasma Panel - (Video or Computer, w/speakers) | \$ 1450.00 | \$ 2030.00 | _____ |
| _____ | (1762) 50" Plasma Panel | \$ 2100.00 | \$ 2940.00 | _____ |
| _____ | (1763) Dual Post Stand for 42" or 50" Plasma Panel | \$ 250.00 | \$ 350.00 | _____ |

AUDIO / VIDEO EQUIPMENT

| QUANTITY | DESCRIPTION | DISCOUNT RATE | STANDARD RATE | EXTENSION |
|----------|---|-----------------|------------------|-----------|
| _____ | (1746) 20" Monitor/VHS Package (Includes Monitor, 1/2" VHS, Cart) | \$ 295.00 | \$ 413.00 | _____ |
| _____ | (1752) 27" Monitor/VHS Package (Includes Monitor, 1/2" VHS, Cart) | \$ 335.00 | \$ 469.00 | _____ |
| _____ | (1753) 20" Monitor/DVD Package (Includes Monitor, DVD, Cart) | \$ 295.00 | \$ 413.00 | _____ |
| _____ | (1755) 27" Monitor/DVD Package (Includes Monitor, DVD, Cart) | \$ 335.00 | \$ 469.00 | _____ |
| _____ | (1708) 20" Video Monitor | \$ 180.00 | \$ 252.00 | _____ |
| _____ | (1712) 27" Video Monitor | \$ 220.00 | \$ 308.00 | _____ |
| _____ | (1714) 32" Video Monitor | \$ 390.00 | \$ 546.00 | _____ |
| _____ | (1726) 1/2" VHS Player (w/ Auto Repeat) | \$ 97.50 | \$ 136.50 | _____ |
| _____ | (1794) DVD Player | \$ 97.50 | \$ 136.50 | _____ |
| _____ | (1778) LCD Projector | \$ 650.00 | \$ 910.00 | _____ |
| _____ | (1830) Tripod Screen - (circle size: 5' 6' 7' 8') | \$ 50.00 | \$ 70.00 | _____ |
| _____ | (1784) Sound System - (250 W, 4 Channel, 2 Speakers, 1 Mic) | \$ 390.00 | \$ 546.00 | _____ |
| _____ | (1787) Wireless Mic Sound System - (Handheld or Lavalier) | \$ 665.00 | \$ 931.00 | _____ |

RENTAL AGREEMENT: It is understood and agreed the customer is renting the equipment for a specific period only, and is responsible for its safe return. Customer agrees to be billed for *any* loss of, or damage to, rented equipment.

No credit will be given after close of event on items or services ordered, but not received. If you have a problem please see the George Fern Co. Service Desk personnel at the event site prior to opening.

Charges listed above are rental rates (not sale). If technician is required, an added cost may be incurred.



Sub Total Equipment (taxable): \$ _____
6% Tax on Equipment: \$ _____
Booth Delivery / Pick-up Fee: \$ **60.00**
Total: \$ _____

Yes, I have completed and enclosed the Payment Form

Name of Event **Louisville Home, Garden & Remodeling Show #4-0091-10** Booth# _____ Phone () _____

Firm Name _____ Fax # () _____

Address _____ E-Mail _____

Street City State Zip Code
 Print/Type Name _____ Signature _____ Date _____

Return to:
George Fern Company

Expositions • Corporate Events • Exhibits

Nationwide

3752 Crittenden Drive Louisville, Kentucky 40209-1122
 Telephone: 502.367.0254 Fax: 502.368.0284

**FLORAL RENTAL
 ORDER FORM**

DEADLINE **February 19, 2010**
 for return of this form:

Cancellation: Cancellation after deadline will be 75% of prevailing rate.
Late Request: Request after deadline will be filled as available at the standard rate.
Color Choice: Choices not indicated will be selected by George Fern Co.

Please indicate Selections by Circling

| POTTED PLANTS - Indicate Color Selection | | DISCOUNT | STANDARD | COST |
|--|---|---------------|----------|-------|
| Qty. _____ | (1501) Azaleas - Live available in season | \$45.00 | \$ 60.75 | _____ |
| Qty. _____ | (1502) Bromeliads - Live, available in season | \$50.00 | \$ 67.50 | _____ |
| Qty. _____ | (1503) Chrysanthemums - Live, White / Yellow | \$45.00 | \$ 60.75 | _____ |
| Qty. _____ | (1505) Ferns - Live, Floor / Hanging | \$50.00 | \$ 67.50 | _____ |

| TROPICAL GREEN PLANTS | | DISCOUNT | STANDARD | COST |
|-----------------------|----------------------------------|----------------|----------|-------|
| Qty. _____ | (1507) 3 Ft. - Slim / Full | \$65.00 | \$ 87.25 | _____ |
| Qty. _____ | (1509) 4 Ft. - Slim / Full | \$75.00 | \$101.25 | _____ |
| Qty. _____ | (1511) 5 Ft. - Slim / Full | \$85.00 | \$114.75 | _____ |
| Qty. _____ | (1513) 6 Ft. - Slim / Full | \$95.00 | \$128.25 | _____ |
| Qty. _____ | (1515) 7 Ft. - Slim / Full | \$105.00 | \$141.75 | _____ |

ALL CONTAINERS FOR TROPICAL GREEN PLANTS WILL BE PROVIDED IN A WHITE WICKER OR DARK RATTAN
 PLEASE CIRCLE CHOICE: WHITE DARK

| FLOWER ARRANGEMENTS - Indicate Color Selection | | DISCOUNT | STANDARD | COST |
|--|--|-------------------|-------------------|------|
| Qty. _____ | (1545) Table Top, 10" Baskets of cut flowers | \$100.00 to | \$135.00 to _____ | |
| | Style: Center Piece - Tall, Low, One Sided | \$150.00 | \$202.50 | |
| | Colors: White, Yellow, Rust, Lavender, Blue, Pastels | | | |

SPECIAL REQUIRMENTS AND LANDSCAPING - other than items listed above

Prices on bark, moss, fencing, fountains, (1573) hedge plants, (1599) general landscaping are available when submitting "To Scale Layout of Desired". Feel free to phone us to discuss or fax your layout to the number indicated on the letterhead above. If you wish, we can have a representative visit your exhibit space.

COMPLETE THE FOLLOWING ONLY IF YOU HAVE REQUIREMENTS OTHER THAN THOSE LISTED ABOVE:

* (1599) Please have florist come to our Booth No. _____ at _____ A.M. / P.M. on _____ and see our Representative _____ for instructions. Please provide telephone # (_____) _____ where representative can be reached in advance.

Yes, I have completed and enclosed the Payment Form

No credit will be given after close of event on items or services ordered, but not received. If you have a problem please see George Fern Co. Service Personnel at the event site prior to opening.

Sub Total: \$ _____
 6% State tax: \$ _____
TOTAL: \$ _____

Name of Event **Louisville Home, Garden & Remodeling Show #4-0091-10** Booth# _____ Phone (_____) _____
 Firm Name _____ Fax # (_____) _____
 Address _____ E-Mail _____
 Street City State Zip Code
 Print/Type Name _____ Signature _____ Date _____

All orders are subject to the terms and conditions as outlined on the payment form.

Return to:
George Fern Company
 Expositions • Corporate Events • Exhibits
Nationwide

3752 Crittenden Drive Louisville, Kentucky 40209-1122
 Telephone: 502.367.0254 Fax: 502.368.0284

**THANK YOU
 RESPONSE FORM**

DEADLINE **February 19, 2010**
 for return of this form:

**PLEASE READ CAREFULLY AND
 RESPOND BY DEADLINE**

Thank you for reviewing the enclosed order forms. This form has been provided to eliminate unnecessary follow-up mailings and telephone calls to you if you have no need for exhibit furnishings and/or services or if you do not anticipate placing your order until you arrive at event site
PLEASE RESPOND TO THE FOLLOWING:

PLEASE CHECK ONE:

(T) NO ORDER

After reviewing the enclosed order forms, we have determined that *we will not require* any furnishings or services from the George Fern Co.

(W) WILL ORDER AT EVENT SITE

We are unable to request our needs in advance; however, we *do anticipate ordering* items and/or services at prevailing rates & conditions from the following categories when we arrive at event site (please check):

- | | |
|-------------------------------|---------------------------------------|
| _____ Exhibit Furniture | _____ Custom Furniture |
| _____ Exhibit / Custom Carpet | _____ Panelboard |
| _____ Display Rental Package | _____ Display Labor |
| _____ Sign / Artwork | _____ Cleaning |
| _____ In-Booth Forklift | _____ Drayage / Freight Services |
| _____ Floral Rental | _____ Hanging Sign |
| _____ Wire Mesh Grid | _____ Audio / Visual Equipment Rental |
| _____ Misc. (list) _____ | _____ Exhibit Lighting |

(Some furnishings and/or services listed above may not be available at this particular event. Please check order forms. If not offered, please feel free to inquire with our office. Also note that you may find some services above are provided by someone other than George Fern Co. See letterhead of each form and contact appropriate company regarding your intent to order at event site.)

CONTACT SOMEONE ELSE REGARDING OUR EXHIBIT NEEDS

I am not the person responsible for the ordering of exhibit furnishings and services.
PLEASE CONTACT THE FOLLOWING INDIVIDUAL:

Name _____ Phone () _____
 Company Name _____
 Mailing Address _____
 City / State / Zip _____

PLEASE RETURN THIS FORM TO AVOID UNNECESSARY MAILINGS AND CALLS !

Name of Event **Louisville Home, Garden & Remodeling Show #4-0091-10** Booth# _____ Phone () _____
 Firm Name _____ Fax # () _____
 Address _____ E-Mail _____
Street City State Zip Code
 Print/Type Name _____ Signature _____ Date _____

Return to:

George Fern Company

Expositions • Corporate Events • Exhibits

Nationwide

3752 Crittenden Drive Louisville, Kentucky 40209-1122
 Telephone: 502.367.0254 Fax: 502.368.0284

INDEPENDENT DISPLAY HOUSE/ CONTRACTOR NOTIFICATION

DEADLINE **February 19, 2010**
 for return of this form:

Complete and return this form by Deadline only if you are planning to use any company other than George Fern Co. for the installation or dismantling of your exhibit.

INDEPENDENT DISPLAY HOUSE CONTRACTORS

Yes, we will be using an independent display house/contractor to install and/or dismantle our display at the Lou Home Garden & Remodeling in Louisville, KY and have completed the following information.

Exhibiting Company Name: _____ Booth No. _____
 Exhibiting Contact Person: _____
 Exhibiting Company Telephone Number: _____
 Contractor To Be Utilized (Company Name): _____
 Address: _____
 Contractor Telephone Number: _____
 Contractor Contact Name: _____

INDICATE WHAT SERVICES ARE TO BE CHARGED TO THIRD PARTY

* See the letterhead of each individual order form to confirm what company is providing services ordered on that specific form. This third party billing information above and below is for use by George Fern Company only, therefore if a service that you have ordered is being provided by someone other than George Fern Company, you need **not** indicate that particular service below:

- | | |
|--|---|
| ____ (01) EXHIBIT FURNITURE RENTAL ORDER | ____ (31) CUSTOM FURNITURE RENTAL ORDER |
| ____ (03) EXHIBIT / CUSTOM CARPET RENTAL ORDER | ____ (06) PANELBOARD RENTAL ORDER |
| ____ (07) DISPLAY RENTAL PACKAGE | ____ (10) IN-BOOTH FORKLIFT |
| ____ (08) SIGN AND ART WORK ORDER | ____ (10) DISPLAY LABOR |
| ____ (12) DRAYAGE SERVICES ORDER | ____ (09) CLEANING SERVICES ORDER |
| ____ (13) EXHIBIT LIGHTING ORDER | ____ (15) FLORAL RENTAL ORDER |
| ____ (17) AUDIO/VISUAL EQUIPMENT RENTAL ORDER | |
| ____ (99) MISCELLANEOUS - LIST _____ | |

NOTE: Some order forms for furnishings and/or services listed above may not be enclosed if a specific service or item is not offered on this event.

If you have any questions, please contact George Fern Co.

* Exhibiting company clearly understand that exhibiting company is ultimately responsible for payment of any and all services invoiced third party which remain unpaid at close of show.

I have notified our independent display house/contractor of the rules and regulations requiring them to submit a Certificate of Insurance to the Official Show Contractor, George Fern Company, by above Deadline Date.

Signature _____ Date _____ Print or Type Your Name _____

Name of Event **Louisville Home, Garden & Remodeling Show #4-0091-10** Booth# _____ Phone () _____

Firm Name _____ Fax # () _____

Address _____ E-Mail _____

Street City State Zip Code
 Print/Type Name _____ Signature _____ Date _____

Policy Regarding Official Service Contractor And Regulations For Exhibitor Appointed Independent Display House Contractors To Install and Dismantle Displays

The Official Service Contractor is appointed to:

- a. Insure the orderly and efficient installation and removal of the overall exposition,
- b. Assure the distribution of labor to all Exhibitors according to the need,
- c. Provide sufficient labor to satisfy the requirements of Exhibitors, and for the exposition itself,
- d. See that the proper type and limits of insurance are in force, and
- e. Avoid any conflict with local union and/or exhibit hall regulations and requirements.

The Official Service Contractor will provide all usual trade show services, including labor. Exceptions are:

- f. Supervision may be provided by the Exhibitor.
- g. The Exhibitor may appoint an outside independent contractor for installation and dismantle only of the Exhibitor's display.

Exhibitors may employ the service of independent contractors to supervise the installation and dismantlement of their displays, providing the Exhibitor and the installation and dismantling contractor comply with the following requirement:

1. The Exhibitor, in writing, must notify Show Management and George Fern Co. of their intention to utilize an independent contractor no later than 25 days prior to the first move-in day, furnishing the name, address and telephone number of the firm. Letters such as from independent contractors are neither valid nor acceptable.
2. Only the one Exhibitor named independent contractor's employees will be authorized on the show floor. Employees of third parties named or subcontracted by the Exhibitor named independent contractor will not be authorized admittance on the show floor unless those employees are named and badged as specified in the following article.
3. The independent contractor must furnish Show Management and George Fern Co. with the names of all on-site employees who will be working on the exposition floor prior to the first move-in day and see that they have and wear at all times identification badges supplied by the independent contractor containing the independent contractor name, employee name and Exhibitor Company name, plus wear an exhibitor work pass supplied by Show Management.
4. The independent contractor must have all business licences, permits and Workman's Compensation insurance required by the State and City governments and the Convention Center Management prior to commencing work, and shall provide Show Management and George Fern Co. with evidence of compliance.
5. The independent contractor must carry a minimum of \$1,000,000 in Public Liability Insurance and shall provide Show Management and George Fern Co. with a certificate of insurance showing the coverages and amounts, and naming the sponsor, George Fern Co. and the Convention Center as co-insured.
6. The independent contractor must follow the scheduled work times or pay any additional costs incurred because of extended work hours.
7. The independent contractor may not solicit business on the exhibit floor.
8. The independent contractor must confine their operations to the exhibit area of their clients. No service desks, storage areas or other work facilities will be located anywhere else in the building. The show aisles and public space are not part of the Exhibitor's booth space.
9. The independent contractor must comply with all labor agreements and practices and must not commit or allow to be committed by persons in their employment any acts that could lead to work stoppages, strikes or labor problems.
10. The exposition floor, aisles, loading docks, services and storage areas will be under the control of the Official George Fern Co.
11. For services such as electrical, plumbing, telephone floral, booth cleaning and drainage, no contractor or support other than the Official Service Contractor/Supplier will be approved. This regulation is necessary because of licensing, insurance, and work done on equipment and facilities owned by parties other than the Exhibitors. Exhibitors shall provide only the material and equipment they own and is to be used in their exhibit space.